

 DUNE HD

Smart B1



Quick Start Guide
Guide de démarrage rapide
Schnellstartanleitung
Snel Start Gids
Guía de instalación rápida
Guida Rapida
Краткое руководство
Короткий посібник
Skrócona instrukcja Szybki Start



Manufactured under license from Dolby Laboratories.
Dolby and the double-D symbol are trademarks of Dolby Laboratories.

English • Français • Deutsch • Nederlands • Español • Italiano • Русский • Українська • Polski

Table of Contents

4	English Quick Start Guide
12	Français Guide de démarrage rapide
20	Deutsch Schnellstartanleitung
28	Nederlands Snel Start Gids
36	Español Guía de instalación rápida
44	Italiano Guida Rapida
52	Русский Краткое руководство
60	Українська Короткий посібник
68	Polski Skrócona instrukcja Szybki Start

Introduction

Dune HD Smart B1 is an all-in-one solution for up to Full HD (1080p) video playback, combining a universal high definition media player and a modern Blu-ray disc player in one device.

Key Features

- **The newest Sigma Designs 8642 media processor:** enjoy excellent playback and performance of interactive features.
- **Blu-ray and DVD player:** play Blu-rays and DVDs (plus Audio CD and data discs with video/music/photo files).
- **HDD player:** connect an HDD to the player and play content directly from the HDD.
- **Network player:** connect the player to a local network and play content directly from PC or NAS (UPnP, SMB, NFS).
- **MKV player:** play HD and SD video in a popular MKV format and other modern video file formats, including top quality HD video with very high bitrate.
- **RealD:** watch 3D video in this ultra modern format used in cinema for the latest movies.
- **HD audio:** enjoy top-quality audio tracks (Dolby TrueHD, DTS HD Master Audio, LPCM, FLAC).
- **3 USB ports:** conveniently connect HDDs, USB flash drives, USB card readers and other USB storage devices.
- **eSATA port:** connect an HDD via the most efficient eSATA interface.
- **SD card slot:** easily play media files on SD memory cards from your camera or other devices, or use an SD memory card as a local or system storage (required for BD Live function).
- **HDMI 1.3:** ensure the best possible quality of HD video and HD audio.
- **A rich set of standard A/V connectors:** use S/PDIF optical audio, stereo audio, component video, composite video outputs to easily connect any A/V equipment.
- **Flexible support for Dolby TrueHD and DTS HD Master Audio:** output as bitstream or decode to LPCM for flexibility when connecting audio equipment.
- **Video output flexibility:** output video in any resolution and format (from SD to 1080p, 24p/PAL/NTSC).
- **Upscaling:** high quality upscaling of DVD and any other SD video content to Full HD (1080p) or other HD resolution.
- **File browser:** convenient file browser with powerful file management (copy, move, delete, rename, organize, sort).

Extra Functions

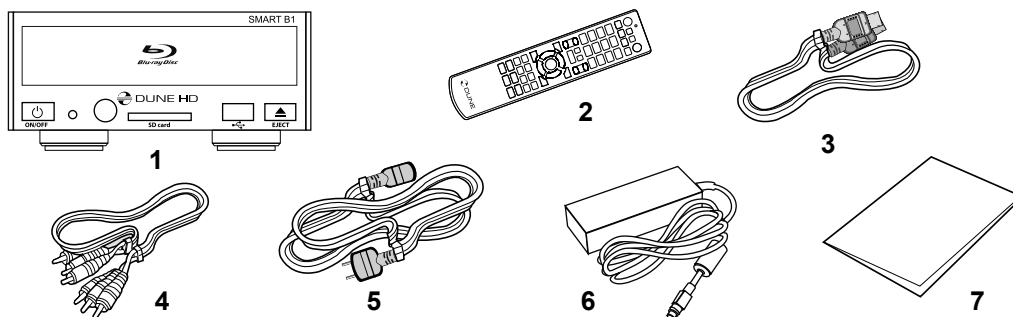
- **High-quality music playback:** play very high-quality (up to 192 Khz / 24-bit) music files in various formats (FLAC, Monkey's Audio APE, WAV/PCM, DTS, etc).
- **Playlists:** build playlists from your folders, use your own playlists, use repeat and shuffle functions.
- **NAS function:** access files on storage devices (HDD, optical drive, etc) attached to the player from the local network (using SMB or FTP).
- **BitTorrent:** use built-in BitTorrent client to download files from P2P networks.
- **Customizable user interface:** work with media collections using cover art and icon browsing (with Full HD graphics).
- **Flash applications:** extend the player functionality with FlashLite applications.
- **Internet radio:** playback and record various Internet radio stations (HTTP/MP3).
- **IPTV:** playback and record IPTV streams (multicast UDP/RTP) from your Internet provider*.
- **Digital TV option:** playback and record Digital TV channels using an optional Digital TV USB dongle**.
- **Internet browsing:** view Internet Web sites on your TV using the built-in Web browser***.

* Check availability of multicast UDP/RTP streams with your Internet provider.

** Digital TV USB dongle is not included; this option can be purchased separately.

*** Built-in Web browser has limitations and may not allow to view some Internet Web sites.

Package Contents

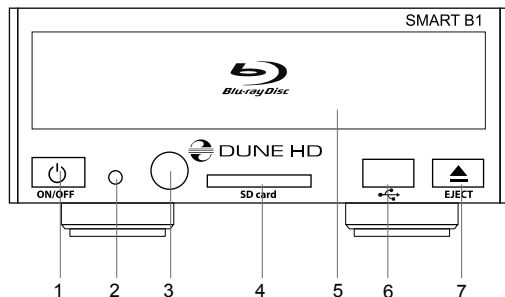


- | | | |
|---|----------------------|--------------------------|
| 1. Dune HD Smart B1 media player | 3. HDMI cable | 6. External power supply |
| 2. Remote control (batteries may not be included) | 4. AV cable | 7. Quick start guide |
| | 5. Power supply cord | |

NOTE: Additional items (optional) may be included into the package, depending on player configuration, region, and distributor.

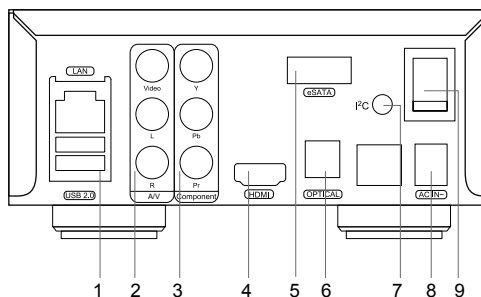
Exterior

Front view



1. On/off button
2. LED indicator
3. IR eye
4. SD card slot
5. Optical drive
6. USB 2.0 host
7. Eject button

Rear view



1. LAN and 2xUSB 2.0 host
2. Composite video and analog stereo audio output
3. Component (Y/Pb/Pr) video output
4. HDMI 1.3
5. eSATA host
6. Optical digital audio output
7. Dedicated bus connector (I²C) (for future connecting external devices)*
8. DC power 12V
9. Power switch

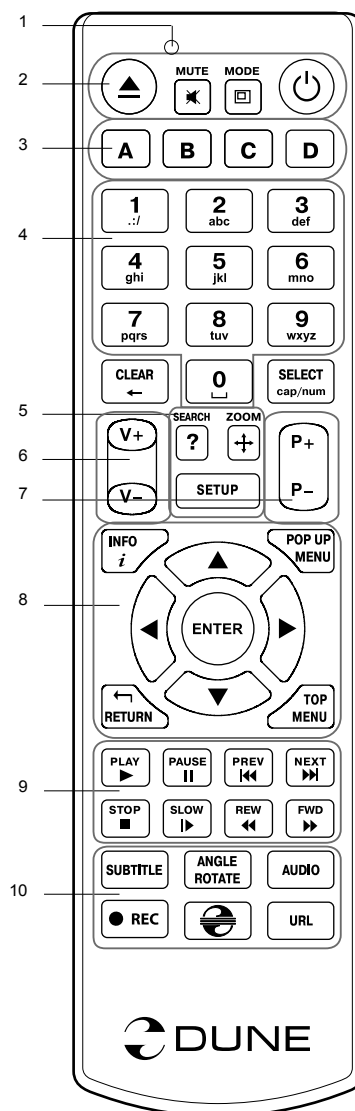
** Not for headphones or other A/V devices; connecting headphones or other A/V devices may damage your equipment*

Remote Control

1. **Command indicator** — flashes in response to RC button pressing.
2. **EJECT** — open/close the optical drive tray. **MUTE** — turn the sound on/off. **MODE** — switch the video output mode; control some other player functions. **POWER** — toggle the standby mode.
3. **A (Red), B (Green), C (Yellow), D (Blue)** — access Blu-ray disc features; control some other player functions.
4. **0–9** — enter numbers and text; control some other player functions.
5. **SEARCH** — jump to a specified playback position. **ZOOM** — change the zoom factor for the video content being played. **SETUP** — enter/leave the setup menu; adjust playback settings during playback.
6. **V+/V-** (**volume up / volume down**) — adjust the volume.
7. **P+/P-** (**page up / page down**) — scroll up and down in various lists; control some other player functions.
8. **Arrows (LEFT, RIGHT, DOWN, UP), ENTER, RETURN, TOP MENU, POP UP MENU, INFO** — main buttons for controlling the player (navigate across the items on the screen, open/use the currently selected item, go back to the previous screen, go to main menu, show popup menu with actions, show information, control some other player functions).
9. **PLAY, PAUSE, STOP, SLOW, REW, FWD, PREV, NEXT** — control the playback.
10. **SUBTITLE, ANGLE/ROTATE, AUDIO, REC, DUNE, URL** — control the playback and some other player functions.

NOTES:

- Use alkaline AAA batteries.
- Observe polarity when inserting batteries.
- Direct the remote control to the player. There must be no obstacles between the RC and the player.
- If RC functions only at short distances or stops functioning, make sure to replace the batteries.
- Some RC buttons may have several functions depending on the current player mode.
- Some RC buttons may be available only in certain player modes or only during playback of a certain content.



Getting Started

Ensure there is enough space around the player for proper cooling. The space at each side should be not less than 10 cm.

Ensure the RC has batteries installed.

Connect the player to your TV and to other A/V equipment in an appropriate way. Use HDMI connection to get the best possible quality of video and audio. Make sure to switch off the player and all relevant A/V equipment before connecting them. Ensure your TV and other A/V equipment are configured to use proper inputs.

Switch on the player. The player will perform its initial loading procedure, which may take up to about 1 minute. During the loading procedure, "DUNE" logo is shown on the TV.

- If you do not see "DUNE" logo on the TV when you switch on the player, it may mean some problem with the connection between the player and the TV or that a wrong video input is chosen in the TV or A/V receiver/switch. In such a case, recheck the cables and the settings of the TV or A/V receiver/switch, or try to use different cables or a different way of connecting the player to the TV.
- If you see "DUNE" logo on the TV when you switch on the player, but then the picture disappears and no other picture appears during at least 10 seconds, it may mean that a wrong video output mode is configured in the player. In such a case, press the "MODE" RC button, and then press one of the RC buttons "1", "2", "3", "4" or "5" to switch to a different video output mode (see "Quick Setting of Video Output Mode").

Finally, you should see the main screen of the player menu. The main screen shows items allowing to use different player functions and access all storage devices and network drives connected to the player.

Adjust the player settings as needed using "**SETUP**" item on the main screen of the player menu (or by pressing the "**SETUP**" RC button). In particular, you may want to adjust video settings, audio settings, and network settings.

To choose the language of the player menu, use "Setup / General / Interface language" setting.

Use the RC buttons "**LEFT**", "**RIGHT**", "**UP**", "**DOWN**", "**ENTER**", "**RETURN**" to navigate through the player menu. Use the "**POP UP MENU**" RC button to show the list of available commands. Use the "**INFO**" RC button to show the information about the selected item.

Quick Setting of Video Output Mode

The "**MODE**" RC button allows quick setting of video output mode without entering the player setup menu. This way of video output configuration may be required if you see no picture on the screen after connecting your player to a TV.

Press the "**MODE**" RC button and then one of the RC buttons "1", "2", "3", "4", or "5" to switch to one of the following video output modes respectively:

1. Composite/Component, PAL
2. Composite/Component, NTSC
3. HDMI, 480i, 60 Hz
4. HDMI, 720p, 60 Hz
5. HDMI, 1080i, 60 Hz

After you see a picture on the TV, press the "**ENTER**" RC button, and then go to the player setup menu to perform a more precise configuration of the video output mode if needed.

NOTE: The procedure of quick setting of video output mode can not be used during playback. To ensure this procedure can be used, switch the player off, then switch the player on, and the wait about 1 minute to ensure the player loading is finished.

Playing Optical Discs

To play an optical disc, ensure you are on the main screen of the player menu and insert the optical disc into the optical drive of the player. The player will recognize the optical disc, and will enable the item corresponding to the optical drive. Depending on the player settings, the player may also automatically start the playback of the disc or request a confirmation to play the disc.

Connecting USB Drives

To connect a USB drive, ensure you are on the main screen of the player menu and connect the USB drive to an USB port of the player. The player will recognize the USB drive, and will show an item corresponding to the USB drive on the main screen.

When connecting a USB drive requiring significant power (such as USB HDD), use an external power supply for the USB drive. Power provided by the USB ports of the player may not be enough for correct functioning of the USB drive.

Do not disconnect or switch off the USB drive when some write operation is in progress.

Using SD Memory Cards

To insert an SD memory card, ensure you are on the main screen of the player menu and insert the memory card into the SD card slot of the player. The player will recognize the memory card, and will show an item corresponding to the memory card on the main screen. Some SD memory cards may not be recognized by the player or may work incorrectly; in such a case, use other models of SD memory cards.

Do not eject the SD memory card when some write operation is in progress.

Connecting eSATA Drives

To connect an eSATA drive, switch off both the player and the eSATA drive, connect the eSATA drive to the eSATA port of the player (and connect the eSATA drive to its power supply), switch on the eSATA drive, and, as the last step, switch on the player. The player will recognize the eSATA drive, and will show an item corresponding to the eSATA drive on the main screen of the player menu.

Switch off and disconnect the eSATA drive only after switching off the player.

Accessing Network Drives

To connect a network drive using SMB or NFS protocol, ensure you are on the main screen of the player menu, press the "MENU" RC button, and choose "Create Network Folder", then fill the parameters of the network drive as needed. The player will show an item corresponding to the configured network drive on the main screen.

To browse the list of network resources accessible via SMB or UPnP protocols, use "Network Browser" item on the main screen of the player menu. NOTE: If some network resources are not shown by the player, you may need to wait some minutes and then retry (or press the "MENU" RC button and choose "Refresh" command).

Formatting HDD

To format a HDD attached to the player, select the drive item on the main screen of the player menu, press the "INFO" RC button and choose "Format Disk" (to format the entire disk) or "Format Partition" (or to format an already existing disk partition only). The player will format the disk using "EXT2" filesystem. NOTE: To use disks formatted by the player on a Windows PC, you may need to install additional software on the PC, such as "EXT2FSD" (<http://www.ext2fsd.com/>).

Switching the Player On and Off

To switch on the player, ensure the power switch on the rear panel is in “on” state, and press the “POWER” RC button or the “on/off” button on the front panel.

To put the player into the standby mode, press the “POWER” RC button or the “on/off” button on the front panel. To exit the standby mode, press any of these buttons again.

Depending on the player settings (see the player setup menu), the “hardware standby” or “software standby” mode may be used. In the “hardware standby” mode, almost complete power-off takes place and the player consumes almost no power. In the “software standby” mode, the player produces no signal on the video output, but is still functioning. For example, if you have some storage devices connected to the player, you may still access them from network (“NAS” function of the player). Exiting the “software standby” mode takes just a few seconds. When the player is in the “software standby” mode, it still consumes significant power. It is not recommended to keep the player in the “software standby” mode for a while if you do not need it.

To switch off the player completely, toggle the power switch on the rear panel. Do not do it if some drive is connected to the player and some write operation is in progress.

NOTE: After switching off the player or putting the player into the “hardware standby” mode, it is recommended to wait about 1 minute before switching it on again.

NAS (Network Attached Storage)

You can access storage devices connected to the player from the local network using FTP and SMB protocols. On a Windows PC, just type "ftp://ip_address" or "\\ip_address" in the Windows explorer, where "ip_address" is the IP address of the player.

WiFi

You can use a USB WiFi adapter to connect the player to the local network via WiFi.

Please see here for the information on supported USB WiFi adapters:

http://dune-hd.com/support/hw_compat/

Limitations

Compatibility of the player with a particular hardware (A/V equipment, network equipment, disk drives, etc) may depend on various factors (particular hardware model, specifics of hardware installation and usage, configuration of the player and the hardware, etc). If the player does not correctly work with a particular hardware, try to adjust the configuration of the player or hardware, try to use the hardware in a different way, or try to use some other hardware.

Compatibility of the player with a particular media content (files, discs, etc) may depend on various factors (specifics of media content encoding, specifics of the configuration of the player, etc). If the player does not play correctly a particular media content, try to adjust the configuration of the player, or try to use media content encoded in a different way.

Updating Your Player and Getting More Information

Please check here for updated versions of player firmware (which may improve player functioning and extend player possibilities):

<http://dune-hd.com/firmware/>

(Note: You can also connect the player to Internet and use the online firmware upgrade function, see Setup / Misc / Firmware Upgrade.)

Please check here for more detailed and up-to-date documentation and information on player usage:

<http://dune-hd.com/manuals/>

<http://dune-hd.com/support/>

Modular System of Player Configuration

Dune HD Smart players allow to create custom configurations based on the primary (head) unit like Dune HD Smart B1/H1/D1 and several optional extension modules of choice, which can be combined to form an integrated player.

The Dune HD Smart player itself is a head unit which can be extended at user's desire with extension modules, such as the following:

- Dune HD Smart HE (adds the option for easy installation of SATA 3.5" HDD with hot swap feature).
- Dune HD Smart ME (adds the option for installing different additional modules).

Extension modules can work exclusively with the head unit (Dune HD Smart player) and use a common control system, implemented via the head unit. The number of connected modules may vary in a wide range: the user can compile his/her own Dune HD Smart system of e.g. two, three and even six components.

In order to group SMART devices by 2 or 3 horizontally, special mounts can be used. For example, a group of 3 modules, including the head unit, combined this way, will comprise a new player of a standard size like the model Dune HD Max.

Besides, grouping the required number of modules allows to supersede the functionality of Dune HD Max, providing more flexibility at the same time. In particular, the modular approach provides the possibility to group modules in any order at any time depending on user's demands, as well as replacing (upgrading) particular modules instead of replacing the entire set of equipment.

Additional information is available on the Internet site <http://www.dune-hd.com>

Introduction

La Dune Smart B1 est une solution tout-en-un combinant un lecteur multimédia haute définition et un Blu-ray dernière génération en un seul lecteur de résolution FULL HD (1080p).

Caractéristiques principales

- **Nouvelle puce media Sigma Designs 8642:** pour une excellente lecture des contenus interactifs.
- **Lecteur Blu-ray et DVD:** lecture des Blu-ray et DVD (ainsi que les CD audio et disques de données video/musique/photo).
- **Lecteur Disque Dur:** connectez un Disque Dur au lecteur et lisez directement son contenu.
- **Lecteur réseau:** Connectez le lecteur à un réseau local et lisez vos fichiers depuis un PC ou un NAS (UPnP,SMB,NFS).
- **Lecteur MKV:** lecture de fichiers au format MKV en HD ou SD et autres formats vidéos, incluant une qualité d'image HD exceptionnelle à très haut débit.
- **RealD:** Regardez de la vidéo en 3D comme au cinéma pour les derniers films.
- **Audio HD:** Profitez des dernières bandes sons HD (Dolby TrueHD, DTS HD Master Audio, LPCM, FLAC).
- **3 ports USB:** Connectez facilement disques durs, clés USB, lecteurs de cartes USB et autres périphériques de stockage USB.
- **Port eSATA:** Connectez un disque dur via l'interface eSATA.
- **Port Carte Mémoire SD:** Regardez facilement du contenu multimédia sur les cartes mémoires SD ou utilisez cette carte mémoire comme périphérique de stockage (nécessaire pour la fonction BD Live).
- **HDMI 1.3:** pour une qualité HD audio et vidéo optimale.
- **Une multitude de connecteurs Audio/Vidéo:** Sortie optique, analogique, composante et composite pour faciliter le branchement de n'importe quel matériel.
- **Compatibilité avec les nouveaux formats sonores Dolby TrueHD et DTS HD Master Audio:** Sortie directe du signal pour tout amplificateur compatible ou decodage en LPCM pour tout type d'équipement audio.
- **Sorties vidéo et résolution multiples:** depuis la résolution SD jusqu'au 1080p (24p/PAL/NTSC).
- **Scaler:** Mise à l'échelle de haute qualité de DVD (ou autre source SD) jusqu'au 1080p FULL HD.
- **Gestionnaire de fichiers avancé:** grande facilité de gestion de contenu (copier, déplacer, effacer, renommer, organiser, trier)

Fonctions supplémentaires

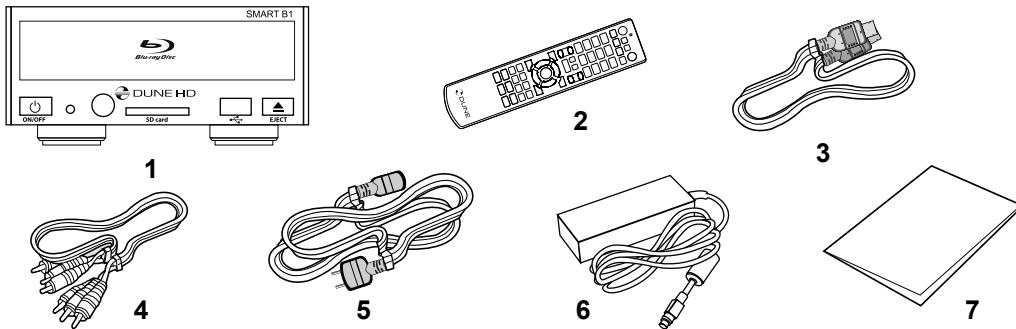
- **Lecture musicale de haute qualité:** lecture de fichiers musicaux (jusqu'en 192Khz /24-bit) sous divers formats (FLAC, Monkey's Audio APE, WAV/PCM, DTS, etc).
- **Listes de lecture:** Créez des listes de lecture depuis vos dossiers, jouez vos propres listes de lecture, avec fonctions répéter et aléatoire.
- **Fonction NAS:** accédez aux fichiers présents sur périphériques de stockage externes (Disque Dur, disque optique, etc) depuis votre réseau local (en utilisant les protocoles SMB ou FTP).
- **Fonction BitTorrent:** client BitTorrent pour télécharger des fichiers sur les réseaux P2P.
- **Interface personnalisable:** Fonctionne avec les bibliothèques media utilisant un système de recherche par jaquettes.
- **Applications Flash:** augmentez les fonctionnalités du lecteur grâce aux applications FlashLite.
- **Radio Internet:** Lecture et enregistrement de nombreuses stations de radio Internet (HTTP/MP3).
- **IPTV:** Lecture et enregistrement de flux IPTV (multicast UDP/RTP) depuis votre accès Internet*.
- **TNT HD:** Lecture et enregistrement de chaînes TV numérique grâce au tuner TNT HD sur clef USB optionnelle**.
- **Navigateur Internet:** Surfez sur internet sur votre TV en utilisant le navigateur intégré***.

* Sous réserve de disponibilité des flux UDP/RTP de votre fournisseur d'accès.

** Tuner TNT HD sur clef USB non inclus et vendu séparément.

*** Le navigateur Internet intégré est limité et peut ne pas fonctionner sur certains sites.

Contenu de la boîte

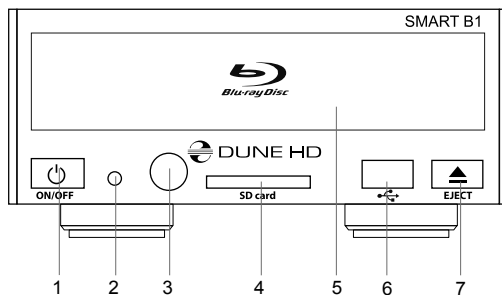


1. Platine multimédia Dune HD Smart B1
2. Télécommande (Piles non incluses)
3. Cordon HDMI
4. Cordon A/V
5. Cordon d'alimentation
6. Bloc d'alimentation externe
7. Guide de démarrage rapide

NOTE: Des accessoires supplémentaires (optionnels) peuvent être inclus dans la boîte en fonction du pays, du distributeur et de la configuration du lecteur.

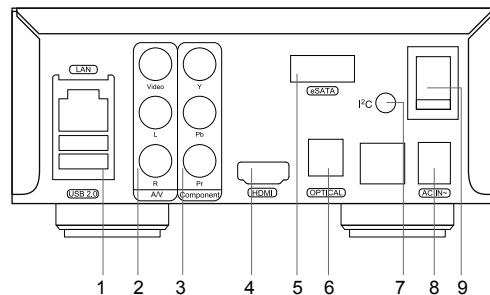
Vues extérieures

Face avant:



1. Bouton Marche/Arrêt
2. Indicateur LED
3. Capteur IR
4. Port carte mémoire SD
5. Lecteur optique
6. Port USB 2.0
7. Touche Eject

Panneau arrière:



1. Port LAN et 2 ports USB 2.0
2. Sortie vidéo composite et stéréo analogique
3. Sortie vidéo composante (Y/Pb/Pr)
4. HDMI 1.3
5. Port eSATA
6. Sortie audio numérique optique
7. Bus dédié (I2C) (pour la connexion de futurs appareils externes)*
8. Alimentation 12V
9. Interrupteur Marche/Arrêt

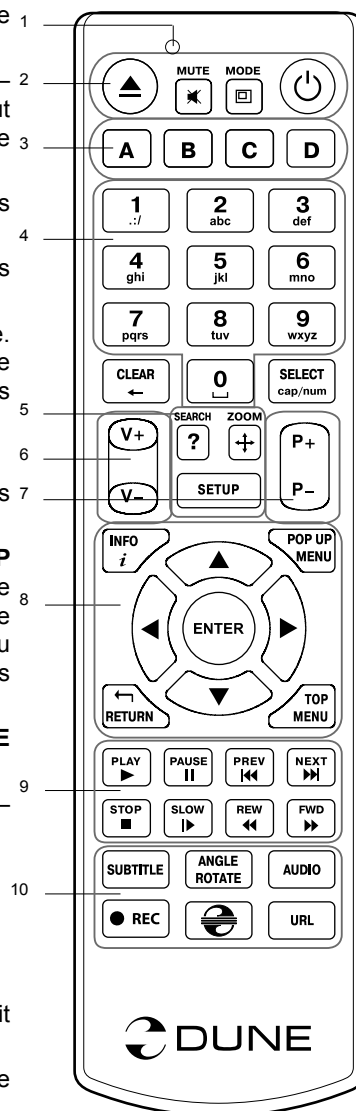
* Non compatible avec des écouteurs ou autres appareils A/V ; brancher des écouteurs ou tout autre appareil A/V peut endommager votre équipement.

Télécommande

1. Indicateur de commande — clignote en réponse à la pression de touches sur la télécommande.
2. **EJECT** — ouverture/fermeture du tiroir du lecteur optique. **MUTE** — Mise en sourdine du son. **Mode** — Changement de sortie vidéo; peut s'appliquer à d'autres fonctions du lecteur. **POWER**— mise en veille du lecteur.
3. **A (rouge), B (Vert), C (Jaune), D (Bleu)** — accès aux fonctions des disques Blu-ray ; peut s'appliquer à d'autres fonctions du lecteur.
4. **0-9** — clavier numérique et alphabétique ; peut s'appliquer à d'autres fonctions du lecteur.
5. **SEARCH** — permet l'accès à une position définie durant la lecture. **ZOOM** — permet de modifier le ratio d'agrandissement de l'image durant la lecture. **SETUP** — permet l'entrée/sortie au menu réglages ainsi que la modification d'options en cours de lecture.
6. **V+/V-** (**volume plus/ volume moins**) — contrôle du volume.
7. **P+/P-** (**page plus / page moins**) — défilement haut /bas dans diverses listes, peut s'appliquer à d'autres fonctions du lecteur.
8. Flèches (**Gauche, Droite, Bas, Haut**), **ENTER, RETOUR, TOP MENU, POP UP MENU, INFO** — touches principales de contrôle du lecteur (navigation entre les options à l'écran, validation de l'option sélectionnée, retour à l'écran précédent, aller au menu principal, affichage du menu popup et de ses options, affichage des informations; peut s'appliquer à d'autres fonctions du lecteur.
9. **LECTURE, PAUSE, STOP, RALENTI, RETOUR ARRIERE, AVANCE RAPIDE, PRECEDENT, SUIVANT** — Contrôle de lecture
10. **SOUSTITRES, ANGLE/ROTATION, AUDIO, ENR, DUNE, URL** — Contrôle de lecture ainsi que d'autres fonctions du lecteur.

NOTES:

- Utilisez des piles alcaline AAA
- Respectez la polarité des piles.
- Dirigez bien la télécommande vers le lecteur. Aucun obstacle ne doit se trouver entre la télécommande et le lecteur.
- Si la télécommande ne fonctionne que sur une courte distance ou ne fonctionne pas du tout, assurez vous de remplacer les piles.
- Certaines touches de la télécommande peuvent avoir plusieurs fonctions selon le mode de lecture.
- Certaines touches de la télécommande ne sont disponibles que dans certains modes ou pendant la lecture de certains contenus.



Démarrage

Retirez le film transparent protecteur de la façade avant du lecteur.

Pour la bonne marche du lecteur, assurez-vous d'avoir au moins 10cm d'espace libre de chaque coté du lecteur.

Assurez-vous que les piles sont installées dans la télécommande.

Connectez le lecteur à votre téléviseur ou à tout autre équipement A/V de manière appropriée. Préférez l'utilisation de la connexion HDMI pour une qualité d'image et de son optimale. Assurez-vous d'éteindre le lecteur ainsi que tous les équipements A/V avant d'effectuer les branchements. Assurez-vous que votre téléviseur et vos différents appareils A/V soient bien configurés au niveau des entrées.

Allumez le lecteur. Le lecteur effectue sa procédure d'initialisation, qui peut prendre jusqu'à une minute. Durant le démarrage, le logo "DUNE" s'affiche à l'écran.

- Si le logo "DUNE" n'apparaît pas lors du démarrage du lecteur, cela vient peut-être d'un problème de connexion entre le lecteur et votre diffuseur ou bien d'une mauvaise sélection d'entrée vidéo. Si tel est le cas, vérifiez vos câbles ainsi que les réglages vidéo de votre diffuseur, remplacez les câbles si nécessaire ou choisissez une autre manière de connecter le lecteur au diffuseur.
- Si vous voyez le logo "DUNE" sur votre écran lorsque vous allumez le lecteur et qu'il disparaît sans qu'aucune image n'apparaisse pendant au moins 10 secondes, cela veut dire qu'il y a un problème de sortie vidéo du lecteur. Dans ce cas veuillez appuyer sur la touche "**MODE**" de la télécommande et utilisez les touches "**1**", "**2**", "**3**", "**4**" ou "**5**" pour changer de résolution vidéo (cf. Réglage rapide de sortie vidéo).

Finalement, vous devriez voir apparaître le menu principal du lecteur. L'écran principal se compose d'éléments permettant à l'utilisateur d'accéder aux différents périphériques (internes ou externes) ou réseaux et d'accéder aux paramètres du lecteur.

Vous pouvez accéder aux réglages du lecteur en sélectionnant l'icone "**SETUP**" sur l'écran principal du lecteur ou tout simplement en appuyant sur la touche "**SETUP**" de la télécommande. Vous pouvez également régler les paramètres vidéo, audio et réseau.

Pour choisir la langue du lecteur, veuillez sélectionner "Setup / General / Interface language".

Utilisez les touches "**LEFT**", "**RIGHT**", "**UP**", "**DOWN**", "**ENTER**", "**RETURN**" de la télécommande pour naviguer à travers les menus du lecteur. Utilisez la touche "**MENU**" de la télécommande pour afficher la liste des commandes disponibles. Utilisez la touche "**INFO**" de la télécommande pour afficher les informations disponibles sur l'élément sélectionné.

Réglage rapide de sortie vidéo

La touche "**MODE**" de la télécommande permet de régler de façon rapide les modes de sorties vidéo sans passer par le menu setup du lecteur; ce qui peut être utile si aucune image n'apparaît après allumage du lecteur.

Appuyez sur la touche "**MODE**" de la télécommande puis sur l'une des touches "**1**", "**2**", "**3**", "**4**" ou "**5**" afin de commuter entre les différents modes de sortie vidéo suivants :

1. Composite/Composante, PAL
2. Composite/Composante, NTSC
3. HDMI, 480i, 60 Hz
4. HDMI, 720p, 60 Hz
5. HDMI, 1080i, 60 Hz

Après affichage de l'image à l'écran, appuyez sur la touche "**ENTER**" de la télécommande, allez ensuite dans le menu setup du lecteur afin d'effectuer des réglages de sortie vidéo plus précis si nécessaire.

NOTE: La procédure de réglage rapide de sortie vidéo ne peut être utilisée en mode lecture. Pour assurer le bon déroulement de la procédure, éteignez le lecteur puis rallumez-le et patientez environ 1 minute afin que le lecteur puisse achever son démarrage.

Lecture de disques optiques (DVD/Blu-ray/CD, etc...)

Pour lire un disque optique, assurez-vous d'être sur le menu principal du lecteur et insérez le disque dans le lecteur optique. Le lecteur va reconnaître le type de disque et va permettre sa lecture. Suivant la configuration du lecteur, la lecture peut démarrer automatiquement ou demander une confirmation de lecture.

Connexion de périphériques USB

Pour brancher un appareil USB, assurez-vous d'être sur le menu principal du lecteur et de le connecter sur l'un des ports USB. Le lecteur va reconnaître le périphérique USB qui sera symbolisé par une icône sur le menu principal.

Lorsqu'un périphérique USB nécessite une alimentation conséquente (comme un disque dur externe USB), il est préférable d'utiliser une alimentation externe. Le courant fourni par les ports USB peut ne pas être suffisant pour faire fonctionner correctement le périphérique USB.

Ne jamais débrancher ou déconnecter un périphérique USB lorsqu'une opération d'écriture est en cours.

Utilisation de carte mémoire SD

Pour insérer une carte mémoire SD, assurez-vous d'être sur le menu principal du lecteur, puis insérez la carte mémoire SD dans l'emplacement prévu à cet effet. Le lecteur va reconnaître automatiquement la carte mémoire qui sera symbolisé par une icône sur l'écran principal. Certaines cartes mémoires SD peuvent ne pas être reconnues par le lecteur ou ne pas fonctionner correctement; dans ce cas, veuillez utiliser un autre type de carte mémoire SD.

Ne pas éjecter la carte mémoire SD lorsqu'une opération d'écriture est en cours.

Connexion de périphériques eSATA

Pour connecter un périphérique eSATA, éteignez le lecteur et le périphérique eSATA, connectez le périphérique eSATA au port eSATA correspondant du lecteur (et connectez également le périphérique eSATA à son alimentation électrique), allumez le périphérique eSATA, et enfin, allumez le lecteur. Le lecteur va reconnaître automatiquement le périphérique eSATA qui sera symbolisé par une icône sur l'écran principal.

Eteignez et débranchez le périphérique eSATA seulement après avoir éteint le lecteur.

Accéder aux périphériques réseau

Pour connecter un périphérique réseau utilisant les protocoles SMB ou NFS, assurez-vous d'être sur le menu principal du lecteur, ensuite pressez la touche "MENU" de la télécommande, puis sélectionnez "Nouveau Dossier Réseau" et renseignez les paramètres du périphérique réseau tels qu'ils vous sont demandés. Le lecteur affichera alors une icône correspondant au périphérique réseau configuré sur l'écran principal.

Pour naviguer dans la liste des ressources réseau accessibles via les protocoles SMB ou UPnP, cliquez sur l'icône "Navigateur Réseau" située sur l'écran principal du menu du lecteur.

NOTE: Si certaines ressources réseau ne sont pas affichées par le lecteur, il se peut que vous soyez amené à patienter quelques minutes, voire à réessayer (ou pressez la touche "MENU" de la télécommande et sélectionnez "Rafraîchir").

Formatage disque dur

Pour formater un disque dur rattaché au lecteur, sélectionnez l'icône correspondante au périphérique sur l'écran principal du menu du lecteur, pressez la touche "INFO" sur le télécommande et choisissez "Formater Disque" (pour formater complètement le disque) ou "Formater Partition" (pour formater une partition déjà existante uniquement). Le lecteur va formater le disque en utilisant le système "EXT2".

NOTE: Pour utiliser les disques formatés par le lecteur sur un PC Windows, vous pouvez être amené à installer un logiciel tiers tel que "EXT2FSD" (<http://www.ext2fsd.com/>).

Allumage et extinction du lecteur

Pour allumer le lecteur, assurez-vous que l'interrupteur situé sur le panneau arrière est sur la position "ON" et appuyez sur la touche "POWER" sur la télécommande ou le bouton "ON/OFF" situé sur la face avant du lecteur.

Pour mettre le lecteur en veille, appuyez sur la touche "POWER" de la télécommande ou le bouton "ON/OFF" situé sur la face avant du lecteur. Pour sortir du mode veille, appuyez de nouveau sur l'une de ces touches.

En fonction des réglages du lecteur (voir menu setup du lecteur), la mise en veille "matérielle" ou la mise en veille "simple" peuvent être utilisées. Dans le mode mise en veille "matérielle", l'extinction complète du lecteur ne fait quasiment consommer aucune énergie. Dans le mode mise en veille "simple", le lecteur ne produit plus aucun signal vidéo mais reste actif. Par exemple, si vous avez des périphériques de stockage connectés au lecteur, vous pouvez toujours y avoir accès (fonction "NAS" du lecteur). Sortir de la mise en veille "simple" ne prend que quelques secondes. Quand le lecteur est en mode veille "simple", il continue de consommer de l'énergie de manière significative. Il n'est pas recommandé de laisser le lecteur en mode veille "simple" durant trop longtemps si vous n'en avez pas l'utilité.

Pour éteindre complètement le lecteur, appuyez sur l'interrupteur situé sur le panneau arrière du lecteur. Veillez à ne pas effectuer cette opération si vous avez des périphériques connectés au lecteur ou si une opération d'écriture est en cours.

NOTE: Après l'extinction complète ou mise en veille "matérielle" du lecteur, il est recommandé d'attendre environ 1 minute avant de rallumer le lecteur.

NAS (Périphérique de Stockage Réseau)

Vous pouvez accéder aux périphériques de stockage connectés au lecteur depuis le réseau local par l'intermédiaire des protocoles FTP et SMB. Sur un PC Windows, tapez "ftp://adresse_ip" ou "adresse_ip" dans l'explorateur Windows ; "adresse_ip" étant l'adresse réseau du lecteur.

WiFi

Vous pouvez utiliser un adaptateur USB WiFi pour connecter le lecteur au réseau local via WiFi.

Pour plus d'informations concernant la compatibilité des adaptateurs USB WiFi, veuillez vous rendre à l'adresse suivante : http://dune-hd.com/support/hw_compat/

Restrictions

La compatibilité du lecteur avec certains matériels (amplificateurs A/V, matériels réseau, disques durs, etc.) peut dépendre de plusieurs facteurs (modèle particulier, installation et usage spécifique, configuration du lecteur avec le matériel, etc.). Si le lecteur ne fonctionne pas correctement avec un matériel particulier, essayez de modifier la configuration du lecteur et du matériel, d'utiliser le matériel différemment ou d'utiliser un autre matériel.

La compatibilité du lecteur avec certains contenus multimédia (fichiers, disques, etc.) peut dépendre de plusieurs facteurs (encodage spécifique de fichier, configuration particulière du lecteur, etc.). Si le lecteur ne fonctionne pas correctement avec un contenu multimédia particulier, essayez de modifier la configuration du lecteur, ou utilisez un contenu multimédia encodé différemment.

Mise à jour du lecteur et informations complémentaires

Pour rechercher les dernières mises à jour firmware du lecteur (pouvant améliorer le fonctionnement du lecteur et étendre ses capacités), rendez-vous à l'adresse suivante:

<http://dune-hd.com/firmware/>.

Note: Vous pouvez également relier le lecteur à Internet afin d'effectuer la mise à jour en ligne (Setup / Misc / Firmware Upgrade)

Pour obtenir les dernières informations et documentations sur l'utilisation du lecteur, rendez-vous aux adresses suivantes:

<http://dune-hd.com/manuals/>

<http://dune-hd.com/support/>

Modules Supplémentaires

Les lecteurs Dune HD Smart permettent de créer des configurations personnalisées basées sur l'unité principale comme la Dune HD Smart B1/H1/D1 et plusieurs modules d'extensions de votre choix, qui peuvent être combinés afin de former un lecteur intégré.

Le lecteur Dune HD Smart est une unité principale à laquelle viennent se rajouter différents modules supplémentaires comme:

- Dune HD Smart HE (Rajoute l'option d'installation facile d'un Disque Dur SATA de 3,5" avec la fonction "changement à chaud")
- Dune HD Smart ME (rajoute l'option d'installation de différents modules supplémentaires)

Les modules d'extension marchent exclusivement avec l'unité principale (lecteur Dune HD Smart) et utilisent un système de contrôle commun, implémenté dans celle-ci. Le nombre de modules à connecter peut varier de 2 à 6 suivant le système Dune HD Smart désiré.

Afin de pouvoir grouper les modules SMART par 2 ou 3 horizontalement, des fixations spéciales peuvent être utilisées. Par exemple, un groupe de 3 modules, incluant l'unité principale, composera un nouveau lecteur de taille standard comme le modèle Dune HD Max.

En outre, grouper le nombre nécessaire de modules permet d'augmenter les fonctionnalités du lecteur Dune HD Smart en gagnant en flexibilité. Plus précisément, l'approche modulaire offre la possibilité de grouper n'importe quel module, n'importe quand, selon les besoins de l'utilisateur, mais également de remplacer un module en particulier sans changer le matériel tout entier.

De plus amples informations sont disponibles sur le site Internet suivant:

<http://www.dune-hd.com>

Einleitung

Der Dune HD Smart B1 ist die umfassende Lösung für volle HD (1080p) Videowiedergabe und kombiniert HD Media-Player und modernen Blu-Ray-Player in nur einem Gerät.

Grundfunktionen

- **Neuster Sigma Designs 8642 Multimedia Prozessor:** Für perfekte Wiedergabe von Videos und beeindruckende Geschwindigkeit bei interaktiven Funktionen (z.B. Menüaufbau).
- **Blu-Ray und DVD-Player:** Abspielen von Blu-Ray, DVDs, Audio-CDs und Daten-CDs mit Video/Musik/Foto Dateien.
- **Festplatten-Player:** Verbinden Sie eine Festplatte mit dem Player und spielen Sie die Inhalte direkt von der Festplatte ab.
- **Netzwerk-Player:** Integrieren Sie den Player in Ihr lokales Netzwerk und spielen Sie die Inhalte direkt vom PC oder NAS über UPnP, SMB, NFS Verbindungen ab.
- **MKV-Player:** Spielen Sie HD-Videos im populären MKV-Format und zusätzlich allen weiteren gängigen Videoformaten ab. Inklusive hochauflösenden HD-Videos bei extrem hoher Bitrate.
- **RealD:** Genießen Sie Filme in 3D. Der Player unterstützt dieses topaktuelle Format, das bei den neuesten Kinofilmen genutzt wird.
- **HD Audio:** Hören Sie Musiktitel in feinsten Klangqualität (Dolby TrueHD, DTS HD Master Audio, LPCM, FLAC).
- **3 USB Anschlüsse:** Auf einfachste Weise können USB-Festplatten, USB-Sticks, USB-Kartenleser oder andere USB Massenspeicher an den Player angeschlossen werden.
- **eSATA Schnittstelle:** Schließen Sie externe Festplatten über die leistungsstarke eSATA-Schnittstelle an den Player an.
- **SD Karten-Slot:** Spielen Sie Inhalte direkt von einer SD-Speicherkarte ab (z.B. von Ihrer Kamera) oder nutzen Sie eine SD-Karte als lokalen bzw. Systemspeicher (erforderlich bei Nutzung der BD Live Funktion).
- **HDMI 1.3:** Zur Sicherstellung der bestmöglichen HD-Video und HD-Audio Qualität.
- **Komplette A/V Anschlussmöglichkeiten:** Nutzen Sie S/PDIF optical Audio, Stereo Audio, Component Video und Composite Videoausgänge, um Ihre A/V Geräte mit dem Player zu verbinden.
- **Unterstützung für Dolby TrueHD und DTS HD Master Audio:** Ausgabe als Bitstream oder Decodierung zu LPCM für flexible Anschluss-Möglichkeiten.
- **Flexible Videoauflösung:** Videowiedergabe in jeder Auflösung und allen Formaten (von SD bis 1080p, 24p/PAL/NTSC).
- **Skalierung:** Automatische Skalierung von DVD und allen anderen SD Videoinhalten zu Full HD (1080p) oder jeder anderen HD-Auflösung in perfekter Qualität.
- **Dateimanager:** Einfach zu nutzender Dateimanager (Kopieren, Verschieben, Löschen, Umbenennen und mehr).

Zusätzliche Funktionen

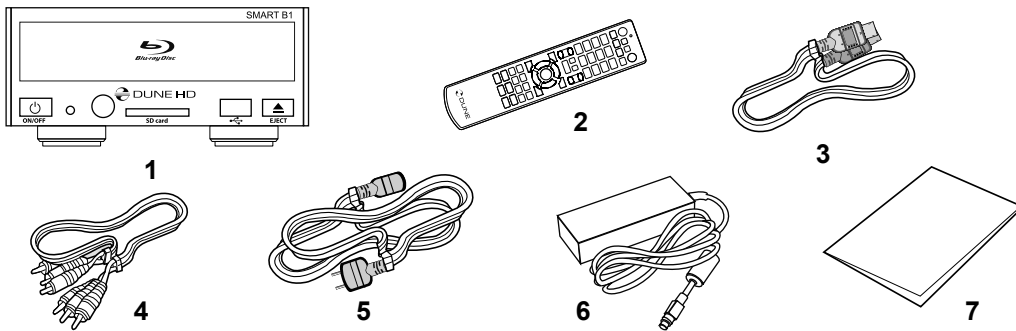
- **Musikwiedergabe in höchster Qualität:** Spielen Sie Musikdateien von hoher Qualität (bis zu 192 Khz / 24-bit) und in den verschiedensten Dateiformaten ab (z.B. FLAC, Monkey's Audio APE, WAV/PCM, DTS, etc.).
- **Playlisten:** Erstellen Sie Playlisten aus Ihren Verzeichnissen, spielen Sie eigene Playlisten ab und nutzen Sie die Wiederholungsfunktion oder Zufallswiedergabe.
- **NAS Funktion:** Im lokalen Netzwerk haben Sie Zugriff auf Daten von Speichergeräten (Festplatte, optisches Laufwerk, etc.), die an den Player angeschlossen sind (via SMB oder FTP).
- **BitTorrent:** Nutzen Sie den integrierten BitTorrent Client um Dateien von P2P Netzwerken herunterzuladen.
- **Individuell anpassbare Benutzeroberfläche:** Medienarchiv mit Anzeige der Covers und Icons (Full-HD Grafik).
- **Flash-Anwendungen:** Erweitern Sie die Funktionalität des Players mit FlashLite Anwendungen.
- **Internetradio:** Wiedergabe und Aufnahme von verschiedenen Internetradiostationen (HTTP/MP3).
- **IPTV:** Wiedergabe und Aufnahme von IPTV Streams (Multicast UDP/RTP) Ihres Internetproviders*.
- **Digital-TV Option:** Wiedergabe und Aufnahme von digitalen TV-Kanälen mit einem optionalen Digital-TV USB-Dongle**.
- **Internetbrowser:** Mit dem integrierten Webbrowser können Sie Internetseiten am Fernseher betrachten***.

* Erkundigen Sie sich bei Ihrem Internetprovider, ob Multicast UDP/RTP Streams verfügbar sind.

** Ein Digital TV USB Dongle ist separat erhältlich, nicht im Lieferumfang enthalten.

*** Der integrierte Webbrowser unterliegt Einschränkungen; manche Internetseiten können evtl. nicht angezeigt werden.

Lieferumfang

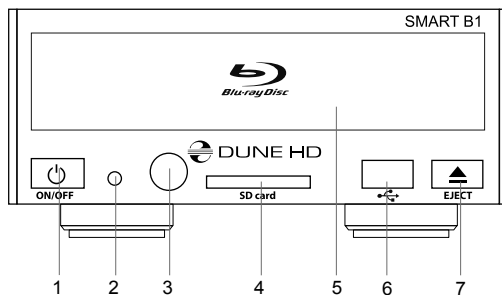


- | | | |
|--|---------------|--------------------------|
| 1. Dune HD Smart B1 Mediaplayer | 3. HDMI Kabel | 6. Externes Netzteil |
| 2. Fernbedienung (Batterien evtl. nicht enthalten) | 4. AV Kabel | 7. Schnellstartanleitung |
| | 5. Netzkabel | |

HINWEIS: Im Lieferumfang kann zusätzliches (optionales) Zubehör enthalten sein, je nach Gerätekonfiguration, Verkaufsregion und Händler.

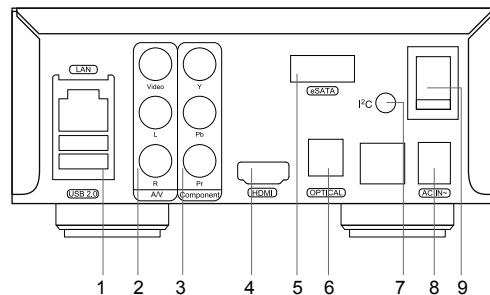
Gehäuse

Vorderansicht



1. Ein-/Aus
2. LED-Leuchtanzeige
3. Infrarot-Auge
4. SD Kartenslot
5. Optisches Laufwerk
6. USB 2.0 Host-Anschluss
7. Eject Knopf (Auswerfen)

Rückansicht



1. LAN und 2xUSB 2.0 Host
2. Composite Video und analoger Stereo Audioausgang
3. Component (Y/Pb/Pr) Videoausgang
4. HDMI 1.3
5. eSATA Host
6. Digitaler optischer Audioausgang
7. Reservierte Bus-Anschlussbuchse (I2C) (zum Anschließen zukünftiger externer Geräte)*
8. 12V Gleichstromanschluss
9. Ein-/ Ausschalter

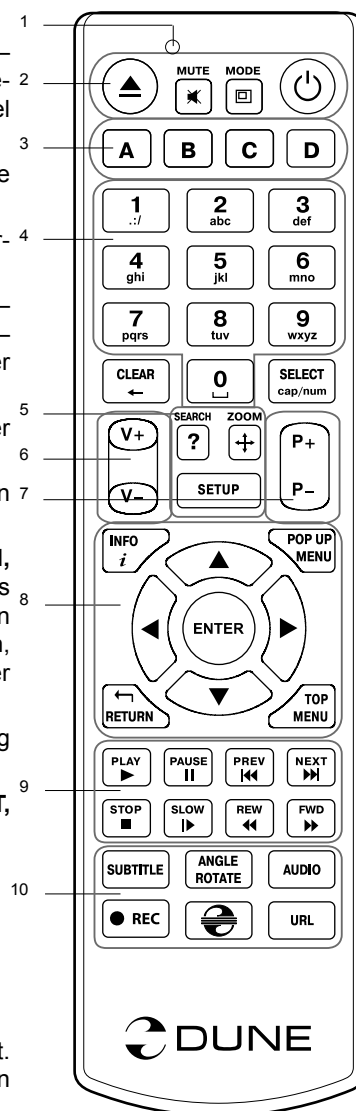
** Nicht für Kopfhörer oder andere A/V-Geräte geeignet; das Anschließen von Kopfhörern oder anderem A/V-Zubehör kann zu Beschädigungen der Geräte führen.*

Fernbedienung

1. Funktionskontrolle (LED) — Blinkt, wenn ein Knopf gedrückt wird.
2. **EJECT** — Öffnen/Schließen des optischen Laufwerks. **MUTE** — Audio Stummschaltung. **MODE** — Wechseln des Videoausgabemodus; Steuerung weiterer Player-Funktionen. **POWER** — Wechsel zwischen Standby- und Betriebsmodus.
3. **A (Rot), B (Grün), C (Gelb), D (Blau)** — Blu-Ray spezifische Funktionen aufrufen; Steuerung weiterer Player-Funktionen.
4. **0–9** — Eingabe von Zahlen und Text; Steuerung weiterer Player-Funktionen.
5. **SEARCH** — Zu festgelegter Wiedergabeposition springen. **ZOOM** — Wechseln des Zoomfaktors für aktuelle Videowiedergabe. **SETUP** — Setup-Menü aufrufen/verlassen; Wiedergabeoptionen während der Darstellung ändern (Helligkeit/Kontrast...).
6. **V+/V-** (**Lautstarke rauf / Lautstarke runter**) — Einstellen der Lautstärke.
7. **P+/P-** (**Seite rauf / Seite runter**) — Seitenweise in verschiedenen Listen blättern; Steuerung weiterer Player-Funktionen.
8. Pfeiltasten (**LINKS, RECHTS, RUNTER, RAUF**), **ENTER, RETURN, TOP MENÜ, POP UP MENÜ, INFO** — Tasten zur Kontrolle des Players (Navigation im Menü, Öffnen/Abspielen des gerade selektierten Eintrags, zurück zum vorherigen Menüpunkt, Hauptmenü öffnen, Popup-Menü aufrufen, Informationen anzeigen, Steuerung weiterer Player-Funktionen).
9. **PLAY, PAUSE, STOP, SLOW, REW, FWD, PREV, NEXT** — Steuerung der Wiedergabeoptionen.
10. **SUBTITLE, URL/2nd Audio, ANGLE/ROTATE, REPEAT, SHUFFLE/PIP, AUDIO** — Darstellungsoptionen ändern.

HINWEISE:

- Verwenden Sie alkalische AAA Batterien.
- Achten Sie auf die richtige Polung beim Einlegen der Batterien.
- Halten Sie die Fernbedienung immer direkt auf das Gerät gerichtet. Es dürfen sich keine Gegenstände oder andere Hindernisse zwischen Fernbedienung und Gerät befinden.
- Funktioniert die Fernbedienung nur noch über kurze Distanz, bitte Batterien wechseln.
- Einige Tasten können verschiedene Funktionen besitzen, abhängig vom aktuellen Modus.
- Einige Tasten sind nur abhängig vom aktuellen Modus oder bei Wiedergabe verschiedener Inhalte nutzbar.



Inbetriebnahme

Entfernen Sie die transparente Schutzfolie von der Front des Gerätes für eine bessere Optik.

Um eine ausreichende Kühlung des Gerätes zu gewährleisten, stellen Sie bitte sicher, dass sich auf allen Seiten des Gerätes mindestens 10 cm Freiraum befindet.

Legen Sie die Batterien in die Fernbedienung ein.

Schließen Sie das Gerät an Ihren Fernseher und evtl. andere vorhandene A/V Komponenten an. Nutzen Sie die HDMI Verbindung für die bestmögliche Qualität der Video- und Audiowiedergabe. Schalten Sie das Gerät und evtl. vorhandene A/V Komponenten aus, bevor Sie die Geräte verbinden. Stellen Sie bitte sicher, dass Ihr TV und evtl. vorhandene andere A/V Komponenten auf die richtigen Eingänge konfiguriert wurden.

Schalten Sie den Player ein. Der Player startet nun mit dem Ladevorgang, welcher bis zu einer Minute dauern kann. Während dieser Zeit erscheint das "DUNE" Logo auf dem TV.

- Falls nach dem Einschalten das "DUNE"-Logo nicht am Bildschirm erscheint, deutet dies auf ein Problem mit der Verkabelung zwischen Player und TV, oder falsch eingestelltem Videoeingang am TV hin. In diesem Fall überprüfen Sie bitte nochmals die korrekte Verkabelung und die Einstellungen am TV Gerät. Alternativ versuchen Sie, den Player über andere Anschlüsse mit dem TV zu verbinden.
- Falls nach dem Einschalten das "DUNE"-Logo am Bildschirm zu sehen ist, dann aber das Bild verschwindet und das Menü nach mindestens 10 Sekunden nicht erscheint, deutet dies auf einen falsch eingestellten Video-Modus am Player hin. In diesem Fall drücken Sie bitte die "**MODE**" Taste der Fernbedienung und im Anschluss die Tasten "**1**", "**2**", "**3**", "**4**" oder! "**5**", um einen anderen Video-Modus zu wählen. (s.u. "Schnellwechsel des Video-Modus").

Das Hauptmenü sollte nun auf dem TV erscheinen. Dieses Hauptmenü erlaubt über verschiedene Menüpunkte den Zugang zu den einzelnen Funktionseinstellungen des Players, ebenso wie den Zugriff auf angeschlossene Speichermedien und Netzwerkfreigaben.

Nehmen Sie nun die gewünschte Konfiguration des Gerätes über den Menüpunkt "**SETUP**" oder durch Drücken der Taste "**SETUP**" auf der Fernbedienung vor. Insbesondere die Video-, Audio- und Netzwerk-Einstellungen lassen sich dort individuell anpassen.

Um die gewünschte Menüsprache einzustellen, wählen Sie „Setup / General / Interface language“.

Mit den **LINKS-**, **RECHTS-**, **UNTEN-**, **OBEN-**, **ENTER-**, **RETURN-** Tasten der Fernbedienung navigieren Sie durch die Menüs. Wenn Sie die **MENU-** Taste auf der Fernbedienung drücken, werden die verfügbaren Menübefehle eingeblendet. Mit der **INFO-** Taste können Sie sich Informationen über den ausgewählten Menüpunkt anzeigen lassen.

Schnellwechsel des Video-Modus

Die "**MODE**" Taste der Fernbedienung erlaubt das schnelle Ändern des Video-Modus, ohne das Menü aufzurufen. Diese Art der Umschaltung könnte nötig sein, wenn Sie nach dem Einschalten des Gerätes keine Ausgabe auf dem TV sehen und so die Umstellung per Menü nicht möglich ist.

Drücken Sie die "**MODE**" Taste der Fernbedienung, gefolgt von der Taste "**1**", "**2**", "**3**", "**4**", oder! "**5**", je nachdem welcher Modus gewünscht ist. Die Zahlen stehen dabei für folgende Modi:

1. Composite/Component, PAL
2. Composite/Component, NTSC
3. HDMI, 480i, 60 Hz
4. HDMI, 720p, 60 Hz
5. HDMI, 1080i, 60 Hz

Sehen Sie nun ein Bild auf dem TV, drücken Sie bitte die "**ENTER**" Taste der Fernbedienung und wechseln bei Bedarf in das Video Setup Menü, um weitere Feinheiten der Videodarstellung zu konfigurieren.

HINWEIS: Der Schnellwechsel des Video-Modus funktioniert nicht bei der Wiedergabe von Inhalten. Um diese Funktion zu nutzen, schalten Sie den Player aus und warten etwa 1 Minute, bis der Player wieder voll betriebsbereit ist.

Optische Medien wiedergeben

Zum Abspielen optischer Medien wechseln Sie bitte zunächst in das Hauptmenü. Nach Einlegen der Disc wird diese vom Player erkannt und es erscheint der entsprechende Menüpunkt auf dem Bildschirm. Abhängig von den im Setup eingestellten Optionen startet die Wiedergabe evtl. automatisch, oder es erscheint die Nachfrage, ob die eingelegte Disc wiedergegeben werden soll.

USB-Geräte anschließen

Zum Einbinden von USB-Geräten wechseln Sie bitte zunächst in das Hauptmenü. Nach Anstecken des USB-Gerätes wird dieses vom Player erkannt und es erscheint der entsprechende Menüpunkt auf dem Bildschirm.

Bei Verwendung eines externen USB-Laufwerks mit hohem Strombedarf (z.B. Festplatte), nutzen Sie bitte eine externe Stromversorgung für das Gerät. Die Ausgangsspannung für das Gerät über den USB-Port kann zu gering sein und somit das Gerät nicht funktionieren.

Entfernen Sie kein externes Gerät vom USB-Anschluss während noch Daten geschrieben werden!

Interne Festplatte nutzen

Zum Einlegen einer internen 3,5" SATA-Festplatte wechseln Sie bitte zunächst in das Hauptmenü. Öffnen Sie das Schubfach des Festplatten-Racks, legen Sie die Festplatte in den Schacht und schließen Sie das Schubfach. Der Player erkennt die interne Festplatte und es erscheint der entsprechende Menüpunkt im Hauptmenü.

Nehmen Sie die interne Festplatte nicht heraus während noch Daten geschrieben werden!

Wir empfehlen die Verwendung „grüner“ Festplatten mit einem geringen RPM-Wert, geringer Wärmeemission und geringem Stromverbrauch; weitere Informationen über kompatible Festplatten finden Sie unter:

http://dune-hd.com/support/hw_compat/

SD Speicherkarten verwenden

Zum Einlegen einer SD-Karte wechseln Sie bitte zunächst in das Hauptmenü. Schieben Sie die Speicherkarte in den SD Kartenslot am Player. Der Player erkennt die Speicherkarte und es erscheint der entsprechende Menüpunkt im Hauptmenü. Manche SD-Karten werden vom Player evtl. nicht erkannt bzw. funktionieren nicht richtig. Bitte verwenden Sie in diesem Fall eine andere SD-Karte.

Entfernen Sie die Speicherkarte nicht während noch Daten geschrieben werden!

eSATA Laufwerke anschließen

Um ein eSATA Laufwerk anzuschließen, schalten Sie bitte beide Geräte zunächst aus! Verbinden Sie nun das eSATA Laufwerk mit dem eSATA-Anschluss des Players und schließen die externe Stromversorgung des eSATA Laufwerks an das Laufwerk an. Schalten Sie nun zuerst das eSATA Laufwerk, und im Anschluss den Player ein. Das eSATA Laufwerk wird nun vom Player erkannt und es erscheint der entsprechende Menüpunkt auf dem Bildschirm.

Entfernen oder schalten Sie das eSATA Laufwerk nur aus, nachdem der Player ausgeschaltet wurde.

Netzwerkfreigaben einbinden

Om een harde schijf te formatteren, selecteer het station, druk op de «INFO» knop van de afstandsbediening
Um eine Netzwerkfreigabe mittels SMB oder NFS(Linux) einzubinden, wechseln Sie bitte zunächst ins Hauptmenü. Drücken Sie dort nun die «MENU» Taste der Fernbedienung und wählen «Netzwerkordner erstellen». Geben Sie nun alle benötigten Parameter für die Netzwerkfreigabe über die Fernbedienung ein. Im Anschluss erscheint im Hauptmenü dann ein neuer Menüpunkt mit der von Ihnen erstellten Netzwerkverbindung.

Um alle verfügbaren SMB oder UPnP Netzwerk Ressourcen anzuzeigen, wählen Sie bitte den Menüpunkt «Network Browser» im Hauptmenü des Players.

HINWEIS: Sollten nicht alle verfügbaren Netzwerk Ressourcen angezeigt werden, warten Sie bitte einige Minuten oder drücken nochmals die «MENU» Taste der Fernbedienung und wählen «Refresh».

Player ein-/ und ausschalten

Um den Player einzuschalten betätigen Sie den Netzschalter auf der Geräterückseite und drücken dann die POWER-Taste auf der Fernbedienung oder den POWER-Knopf vorne am Player. Um den Player in den Standby Modus zu versetzen, drücken Sie die «POWER» Taste auf der Fernbedienung oder den POWER-Knopf vorne am Player. Zum Beenden des Standby Modus drücken Sie bitte erneut eine der genannten Tasten.

In den Player-Einstellungen (siehe Setup-Menü) können Sie zwischen zwei verschiedenen Standby-Modi wählen: dem „Hardware Standby“ Modus oder dem „Software Standby“ Modus. Im „Hardware Standby“ Modus ist das Gerät fast komplett ausgeschaltet und der Player verbraucht fast keinen Strom. Im „Software Standby“ Modus erzeugt der Player kein Videosignal mehr, ist aber trotzdem noch voll betriebsbereit. Z.B. Können Sie weitere am Gerät angeschlossene Geräte über die NAS-Funktion des Players ansprechen und nutzen. Das Beenden des „Software Standby“ dauert nur wenige Sekunden. Im „Software Standby“ Zustand benötigt der Player signifikant Strom. Wir empfehlen daher, den Player bei längerer Nichtnutzung nicht diesem Standby Modus zu belassen.

Um den Player komplett auszuschalten, betätigen Sie den Netzschalter auf der Geräterückseite. Schalten Sie den Player jedoch nicht aus, solange noch externe Laufwerke an den Player angeschlossen sind und noch Daten geschrieben werden.

HINWEIS: Nach Ausschalten des Players bzw. nach Versetzen des Players in den „Hardware Standby“ Modus sollten Sie ca. 1 Minute warten, bevor Sie den Player wieder einschalten.

NAS (Network Attached Storage)

Sie können über das lokale Netzwerk auf an den Player angeschlossene Laufwerke via FTP oder SMB zugreifen. Auf einem Windows Rechner tippen Sie einfach «ftp://IP-Adresse» oder «\\IP-Adresse» im Windows Explorer, wobei Sie „IP-Adresse“ durch die richtige IP-Adresse des Players ersetzen müssen (z.B. 192.168.0.5).

WiFi (Drahtlose WLAN Verbindung)

Sie können einen USB-WLAN (WiFi) Stick verwenden, um den Player mittels WLAN mit einem lokalen Netzwerk zu verbinden.

Weitere Informationen zu den unterstützten USB-WLAN Sticks finden Sie unter:

http://dune-hd.com/support/hw_compat/.

Einschränkungen

Die Kompatibilität des Players mit verschiedenen Geräten (A/V Geräte, Netzwerkgeräte, Festplattenlaufwerke, etc.) ist abhängig von verschiedenen Faktoren (Gerätemodell und Typ, Hardwareinstallation und Konfiguration des Players und der anderen Geräte). Sollte der Player nicht mit einem speziellen Gerät zusammenarbeiten, versuchen Sie die Konfiguration von Player und Gerät entsprechend zu ändern, um eine Funktion zu gewährleisten. Versuchen Sie verschiedene Möglichkeiten der Verbindungen zwischen Player und den anderen Geräten - oder verwenden Sie ein kompatibles Gerät.

Die Kompatibilität des Players mit verschiedenen Medienformaten (Dateien, Discs, etc.) ist abhängig von verschiedenen Faktoren (Encoding der Media Inhalte, Player Konfiguration etc.). Sollte der Player einige Medien nicht abspielen, versuchen Sie die Konfiguration des Players entsprechend zu ändern oder nutzen Sie Medien in einem anderen Format.

Player updaten und weitere Informationen

Die neuesten Firmware Versionen des Players (Firmware Updates können die Funktion und Stabilität des Players verbessern und den Funktionsumfang erweitern) finden Sie im Internet unter folgendem Link:

<http://dune-hd.com/firmware/>.

(Hinweis: Sie können den Player auch mit dem Internet verbinden und die Firmware am Player direkt online aktualisieren; siehe Setup / Verschiedenes / Firmware Upgrade.)

Aktuelle Anleitungen, Handbücher und weiterführende Informationen zur Bedienung und Nutzung des Players finden Sie im Internet unter:

<http://dune-hd.com/manuals/>

<http://dune-hd.com/support/>

Player Konfiguration im Modulsystem

Mit dem Dune HD Smart Modulsystem können Sie einen Player genau nach Ihren Bedürfnissen zusammenstellen: Die einzelnen Dune HD Smart Basismodule (Smart B1/ H1/ D1) können beliebig mit den verschiedenen optionalen Erweiterungsmodulen kombiniert werden, um einen ganzheitlichen, an die Kundenwünsche angepassten Player zusammenzustellen.

Der Dune HD Smart Player als Basisgerät kann beispielsweise mit folgenden Modulen erweitert werden:

- Dune HD Smart HE (ermöglicht den schnellen Einbau einer SATA 3,5" Festplatte mit Hot Swap Funktion).
- Dune HD Smart ME (bietet zwei Steckplätze für den Einbau zusätzlicher Komponenten).

Die Erweiterungsmodule arbeiten ausschließlich mit dem Basisgerät (HD Smart Player) und verwenden ein gemeinsames Steuerungssystem, das über das Basisgerät implementiert ist. Die Module können beliebig kombiniert werden: Der Kunde kann z.B. aus zwei, drei oder sogar sechs Komponenten sein eigenes Dune HD Smart System zusammenstellen.

Werden 2 oder 3 SMART-Module waagrecht nebeneinander gestellt, können diese mit speziellen Halterungen verbunden werden. Eine Kombination aus 3 Modulen (einschließlich des Basisgeräts), die auf diese Weise verbunden werden, ergibt dann einen neuen Player in Standardgröße (wie z.B. beim Dune HD Max).

Durch Zusammenstellen der entsprechenden Module kann beispielsweise eine Funktionalität wie beim Dune HD Max erreicht bzw. noch übertroffen werden, und das bei größtmöglicher Flexibilität. Das Modulsystem bietet insbesondere die Möglichkeit, Module jederzeit beliebig nach den Bedürfnissen des Benutzers zusammenzustellen, sowie einzelne Module zu ersetzen (oder upgraden) anstatt die komplette Anlage austauschen zu müssen.

Weitere Informationen finden Sie im Internet unter:

<http://www.dune-hd.com>

Introductie

De Dune HD Smart B1 is een alles-in-één oplossing om tot en met Full HD (1080p) video bestanden af te kunnen spelen, waarbij de HD Smart B1 een unieke combinatie is van een universele high definition media speler en een moderne Blu-ray disc speler gecombineerd is in één apparaat.

Belangrijkste kenmerken

- **De nieuwste Sigma Designs 8642 media processor:** Deze krachtige processor zorgt voor het ultieme home entertainment genot.
- **Blu-ray en DVD speler:** Speel Blu-rays en DVD's (plus Audio CD en data disks met video/muziek/foto bestanden).
- **HDD speler:** Sluit een externe Hard Disk (HDD) aan en speel direct hiervan af.
- **Netwerk speler:** Sluit de speler aan op het netwerk speel direct af vanaf een PC of NAS (UPnP, SMB, NFS).
- **MKV speler:** Speel HD en SD video af in het populaire MKV formaat, inclusief hoge kwaliteit HD video met zeer hoge bitrates.
- **RealD:** Kijk 3D video in zoals in de bioscoop.
- **HD audio:** Geniet van topkwaliteit audio geluid (Dolby TrueHD, DTS HD Master Audio, LPCM, FLAC).
- **3 USB poorten:** Eenvoudig en gemakkelijk HDDs, USB flash drives, USB kaarlezers en overige USB opslag apparaten.
- **eSATA:** sluit een Hard Disk (HDD) aan, middels deze meest efficiënte aansluiting.
- **SD kaart slot:** Makkelijk je bestanden afspelen vanaf SD geheugen kaarten van bijvoorbeeld je camera of andere apparaten, of gebruik een SD geheugen kaart als lokale systeem opslag. (Benodigd voor BD Live toepassingen).
- **HDMI 1.3:** Garandeert de beste kwaliteit HD video en HD audio.
- **Een breed aanbod van aansluitingen:** Diverse Audio/Video aansluitingen waaronder S/PDIF optische audio, stereo audio, component video, composiet video uitgangen waardoor je de HD SMART B1 op vrijwel alle beamers, TV's etc kan aansluiten.
- **Flexibele ondersteuning voor Dolby TrueHD en DTS HD Master Audio:** output als bitstream of gedecodeerd naar LPCM waardoor er maximale flexibiliteit verkregen zal worden wanneer er verbonden word met audio apparatuur.
- **Video output flexibiliteit:** stuur video signalen uit in elke willekeurige resolutie en formaat and formaat (van SD tot en met 1080p, 24p/PAL/NTSC).
- **Upscaling:** Hoge kwaliteit upscaling van DVD en elk ander SD video bestand naar Full HD (1080p) of elke andere resolutie.
- **Bestands browser:** Gemakkelijk door uw bestanden bladeren middels de krachtige bestandsbeheer mogelijkheden (kopiëren, verplaatsen, verwijderen, hernoemen. Organiseren, sorteren).

Extra Functionaliteiten

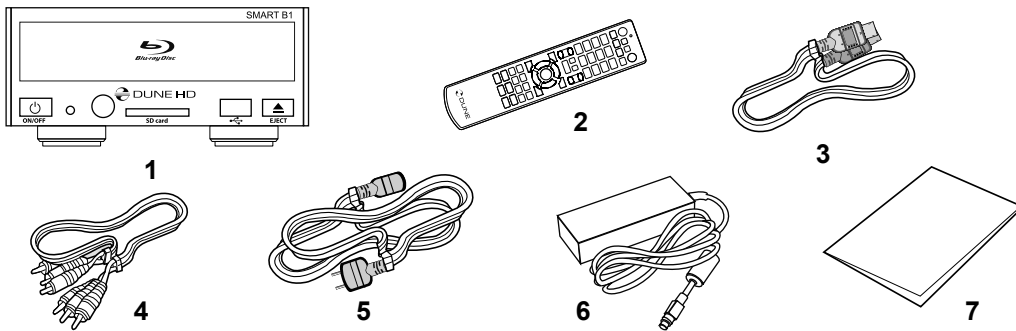
- **Hoge kwaliteit muziek afspeelbaarheid:** Speel erg hoge kwaliteit (tot en met 192 Khz / 24-bit) muziek bestanden in diverse formaten (FLAC, Monkey's Audio APE, WAV/PCM, DTS, etc).
- **Playlists:** genereer playlists uit folders, gebruik eigen playlists, gebruik herhaal en shuffle functies.
- **NAS functie:** Benader bestanden op de HD SMART B1 (HDD, optische drive, etc) aangesloten op de speller vanaf je locale netwerk (SMB or FTP).
- **BitTorrent:** Gebruik de ingebouwde BitTorrent client om bestanden te downloaden vana P2P netwerken.
- **Aanpasbare gebruikers interface:** Gebruik cover art en icon browsing (met Full HD graphics).
- **Flash applicaties:** Maak gebruik FlashLite applications.
- **Internet radio:** Je kan menig internet radio station afspelen en opnemen (HTTP/MP3).
- **IPTV:** Je kan menig IPTV streams afspelen en opnemen (multicast UDP/RTP) ondersteund door je Internet provider*.
- **Digital TV optie:** Bekijk en neem Digital TV kanalen op door gebruik te maken van de optionele Digitale TV USB dongle**.
- Internet browsing: Surf op het internet middels de ingebouwde web browser***.

* Raadpleeg uw internet service provider welke multicast UDP/RTP streams zij aanbieden.

** Digital TV USB dongle is optioneel.

*** Ingebouwde Web browser heft beperkingen en zal mogelijk niet alle internet pagina's correct kunnen weergeven.

Inhoud van de verpakking*:

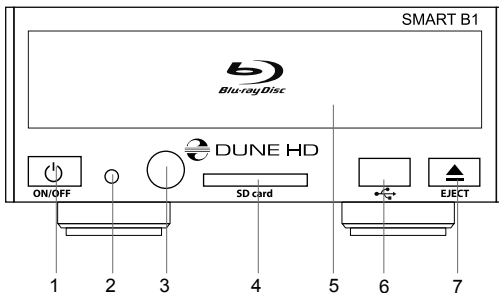


- | | | |
|---|--------------------|--------------------|
| 1. Dune HD Smart B1 media speler | 3. Netsnoer | 6. HDMI kabel |
| 2. Afstandsbediening (Batterijen mogelijk inbegrepen) | 4. Externe voeding | 7. Snel start gids |
| | 5. AV kabel | |

* Additionele zaken kunnen afhankelijk van de configuratie en distributeur bijgelverd zijn.

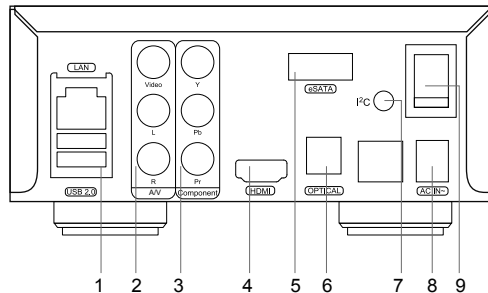
Aanblik/Buitenkant

Voor aanzicht:



1. Aan/uit knop
2. LED indicator
3. Infra Rood oog
4. SD kaart slot
5. Optische Drive
6. USB 2.0 host
7. Eject

Achter aanzicht:



1. LAN en 2xUSB 2.0 host
2. Composite video and S-Video output
3. Component (Y/Pb/Pr) video output
4. HDMI 1.3
5. eSATA host
6. Optische digitale audio uitgang
7. Toegewijde bus connector (I2C) (voor het aansluiten van externe apparaten)*
8. DC 12v aansluiting
9. Spannings schakelaar (volledig uit/aan)

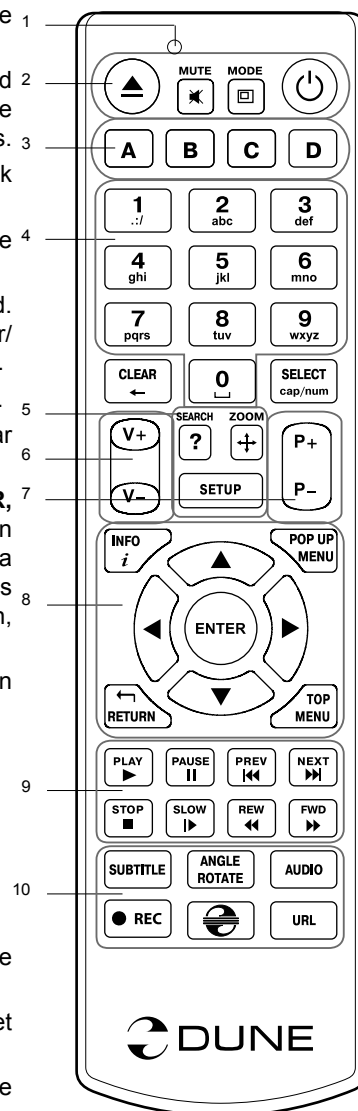
* Niet voor een hoofdtelefoon of andere A/V apparaten; aansluiten van een hoofdtelefoon of andere A/V apparaten kan schade veroorzaken aan uw apparatuur.

Afstandsbediening

1. Commando indicator - knippert in reactie als er op een knop van de afstandsbediening gedrukt wordt.
2. **EJECT** — open/sluit de optische drive. **MUTE** — Zet het geluid AAN/UIT. **MODE** — Schakel tussen TV modus, bedien sommige andere functionaliteiten. **POWER** — zet in of haal uit stand-by modus.
3. **A (Rood), B (Groen), C (Geel), D (Blauw)** — Bedien Blu-ray disk features; bedien sommige andere functionaliteiten.
4. **0-9** — Voor cijfers en letters in; bedien sommige andere functionaliteiten.
5. **SEARCH** — Navigeer naar een willekeurige tijd in een bestand. **ZOOM** — verander het zoom level tijdens afspelen. **SETUP** — enter/verlaat het setup menu; pas tijdens het afspelen de instellingen aan.
6. **V+/V-** (volume omhoog / volume omlaag) — Pas het volume aan.
7. **P+/P-** (pagina omhoog / pagina omlaag) — scroll omhoog en naar beneden; bedien sommige andere functionaliteiten.
8. Pijlen (**LINKS, RECHTS, NAAR BENEDEN, OMHOOG**), **ENTER**, **RETURN**, **TOP MENU**, **POP UP MENU**, **INFO** — Navigatie knoppen (navigeer adoor het scherm, open/gebruik het geselecteerde item, ga een stap terug, ga terug naar het vorige scherm, go back to the previous screen, ga naar het hoofd menu, laat het popup menu verschijnen, laat informatie zien, bedien sommige andere functionaliteiten).
9. **PLAY, PAUSE, STOP, SLOW, REW, FWD, PREV, NEXT** — Knoppen ter bediening van bestanden.
10. **SUBTITLE, ANGLE/ROTATE, AUDIO, REC, DUNE, URL**. Ondertiteling aan/uit, Bedien sommige andere functionaliteiten.

NOTITIES:

- Gebruik alleen AAA alkaline batterijen.
- Kijk goed naar de polariteit voor het plaatsen
- Zorg dat er zich géén obstakels bevinden tussen de speller en de afstandsbediening tijdens de bediening
- Vervang de batterijen als vanaf dichtbij de afstandsbediening niet meer correct functioneert.
- Sommige knoppen hebben meerdere functies, afhankelijk van de mode waarin de speller zich bevind.



Eerste gebruik

- Verwijder de transparante beschermende film vanaf het frontpaneel.
- Zorg ervoor dat er genoeg ruimte rondom de speler is voor een goede koeling. De ruimte aan elke kant moet niet minder dan 10 cm bedragen.
- Zorg ervoor dat de afstandsbediening batterijen bevat.
- Sluit de speler aan op uw TV en/of andere A/V apparatuur op de correcte manier. Gebruik de HDMI-aansluiting om de best mogelijke kwaliteit van video en audio te krijgen. Zorg ervoor dat de speler uit staat als u hem aansluit op A/V apparatuur.
- Zorg ervoor dat uw TV en andere A/V apparatuur correct worden geconfigureerd door de juiste ingangen te gebruiken.
- Zet de speler aan. De speler kan tijdens haar initiële opstart procedure er tot een minuut over doen om op te starten. Tijdens de opstart fase, zal het "DUNE"-logo worden weergegeven op de TV.
- Als je niet het "DUNE"-logo op de TV ziet verschijnen, kan dit betekenen dat er een probleem is met de verbinding tussen de speler en de TV of dat een verkeerde video-ingang is gekozen op de TV. In een dergelijk geval, controleer dan de kabels en de instellingen van de TV, of probeer om verschillende kabels of een andere manier aan te sluiten
- Als je het "DUNE"-logo op de TV ziet, maar weer verdwijnt en er gedurende 10 seconden geen enkel beeld verschijnt, kan het betekenen dat een verkeerd video-uitgang modus is ingesteld op de speler. In een dergelijk geval, druk op de "**MODE**" knop van de afstandsbediening en druk vervolgens op een van de numerieke knoppen "**1**", "**2**", "**3**", "**4**" of "**5**" om over te schakelen naar een andere video output mode (zie "Snel instellen van de Video Output Mode").

Tot slot ziet u het beginscherm van het speler menu. Pas de instellingen van de speler zo nodig met behulp van "**SETUP**" item op het beginscherm van de speler aan (of door op de "**SETUP**" knop van de afstandsbediening). In het bijzonder, kunt u video-instellingen, audio-instellingen aanpassen, en netwerkinstellingen.

Voor het kiezen van de taal, gebruik "Setup / General / Interface language" Gebruik de afstandsbediening knoppen "**LINKS**", "**RECHTS**", "**OMHOOG**", "**NAAR BENEDEN**", "**ENTER**", "**RETURN**" om te navigeren door het menu van de speler. Gebruik de "**MENU**" knop van de afstandsbediening om de lijst van beschikbare commando's te tonen. Gebruik de "**INFO**" knop van de afstandsbediening om de informatie over het geselecteerde item

Snel instellen van de Video Output Mode

Middels de "**MODE**" knop van de afstandsbediening kunt u snel wisselen van video output mode zonder hiervoor naar het menu van de speler te moeten gaan.

Deze manier kan nodig zijn als u geen beeld op het scherm heeft na het aansluiten van de speler op een TV.

Druk op de "**MODE**" knop van de afstandsbediening en vervolgens een van de afstandsbediening knoppen "**1**", "**2**", "**3**", "**4**" of "**5**" over te schakelen naar een van de volgende video output modes, respectievelijk:

1. Composiet/Component, PAL
2. Composiet/Component, NTSC
3. HDMI, 480i, 60 Hz
4. HDMI, 720p, 60 Hz
5. HDMI, 1080i, 60 Hz

Nadat u beeld heeft, drukt u op de "**ENTER**" knop van de afstandsbediening, en ga dan naar het speler setup-menu om een meer precieze configuratie van de video output-modus in te voeren indien nodig.

OPMERKING: De procedure kan niet worden gebruikt tijdens het afspelen.

Optische schijven afspelen

Voor het afspelen van een optische schijf, zorgt u ervoor dat u in het hoofdscherm van de speler staat en plaats de optische schijf in het optische station. Afhankelijk van de instellingen van de speler zal de speler ook automatisch starten of vraegen om te starten.

Aansluiten van USB-drives

Voor het afspelen van een optische schijf, zorgt u ervoor dat u in het hoofdscherm van de speler staat en sluit u de USB-drive op een vrije USB-poort van de speler aan. De speler herkent het USB-station, en zal de USB drive op het hoofdscherm tonen. Bij het aansluiten van een USB-drive die aanzienlijke capaciteit heeft (zoals USB HDD), gebruik dan de externe voeding van de USB drive. Het kan gebeuren dat de speler niet genoeg stroom kan leveren aan niet gevoede drives. Zet de speler niet uit, of onderbreek de USB-Drive niet gedurende activiteit ervan.

SD-geheugenkaarten gebruiken

Als u een SD-geheugenkaart plaatst, zorg er dan voor dat u op het beginscherm van de speler staat. De speler herkent de geheugenkaart, en zal de geheugenkaart op het hoofdscherm tonen. Sommige SD geheugenkaarten kunnen niet worden herkend door de speler of kunnen niet correct werken; in een dergelijk geval, gebruik dan een andere model SD-geheugenkaart.

Niet de geheugenkaart verwijderen tijdens gebruik.

Aansluiten van eSATA apparaten

U kunt o.a. een eSATA Hard Disk aansluiten, zorg er voor zowel de Dune HD Smart B1 als de eSATA harde schijf uit staan alvorens u de 2 producten op elkaar aansluit. Als alles aangesloten is (inclusief de externe stroomvoorziening van de eSATA schijf) aet u eerst de eSATA schijf aan, dan pas de speler. De speler herkent automatisch de eSATA schijf en zal deze weergeven op het hoofdscherm a het opstarten.

Toegang tot netwerk schijven

Voor het aansluiten van een netwerk schijf met behulp van SMB of NFS-protocol, dient u ervoor te zorgen dat u op het beginscherm van de speler staat, en drukt op de «MENU» knop van de afstandsbediening, kies «Maak netwerk Folder», voor de details van de netwerkschijf in indien nodig. Om te bladeren in de lijst van de netwerk toegankelijke bestanden via SMB of UPnP, gebruik je het «Network Browser» item in het beginscherm van de speler. OPMERKING: Als sommige netwerkbronnen worden niet weergegeven door de speler, moet u enkele minuten wachten en dan opnieuw proberen (of druk op de «MENU» knop van de afstandsbediening en kies «Refresh»).

Formatteren harde schijf

Om een harde schijf te formatteren, selecteer het station, druk op de «INFO» knop van de afstandsbediening en kies «Format Disk» (de gehele schijf) of «Format Partition» (alleen een bepaalde partitie). De speler zal de schijf formatteren in «EXT2» bestandssysteem.

OPMERKING: Voor het gebruik van schijven welke zijn geformatteerd door de speler en u de schijf los aansluit op een Windows-pc, moet u mogelijk extra software installeren op de PC, zoals «EXT2FSD» (<http://www.ext2fsd.com/>).

De speler aan en uit zetten

Voor het inschakelen van de speler, zorg ervoor dat de schakelaar op de achterzijde op «ON» staat, en druk op de «POWER» knop van de afstandsbediening of de «on/off»-knop op het voorpaneel. Om de speler in de standby-modus, drukt u op de «POWER» knop van de afstandsbediening of de «on / off»-knop op het voorpaneel. Als u de standby-modus, drukt u nogmaals op een van deze knoppen.

Afhankelijk van de instellingen van de speler zal de «hardware standby» of «soft-standby»-modus worden gebruikt. In de «hardware standby» modus, zal de speler bijna compleetpower-uitgaan en gebruikt nagenoeg geen stroom. In de «software standby» modus zal de speler alleen geen signaal op de video-uitgang geven, maar functioneert deze nog steeds. Bijvoorbeeld, als u een aantal opslagapparaten aangesloten heeft op de speler kunt u nog steeds toegang verkrijgen («NAS» functie van de speler). Het verlaten van de «software standby» modus duurt slechts enkele seconden. Wanneer de speler zich in de «software standby» modus bevindt, verbruikt hij nog steeds aanzienlijk stroom. Het is niet aan te raden om de speler voor lange tijd in de «software standby» modus te gebruiken, zeker als dit niet nodig is.

Voor het volledig uitschakelen van de speler, zet de schakelaar op het achterpaneel op OFF. Doe dit niet als de speler operationeel is, dus bijvoorbeeld bezig is om data te kopiëren, te benaderen.

OPMERKING: Na het uitschakelen van de speler is het aanbevolen om ongeveer 1 minuut te wachten alvorens deze weer aan te zetten.

NAS (Network Attached Storage)

U krijgt toegang tot de opslag-apparaten aangesloten op de speler via het lokale netwerk middels gebruik te maken van FTP en SMB-protocollen. Op een Windows PC, typ je gewoon «ftp://ip_address» of «\ ip_adres» in de Windows verkenner, waar «ip_adres» is het IP-adres van de speler.

WiFi

U kunt gebruik maken van een USB WiFi adapter door deze op een vrije USB poort aan te sluiten op de speler.

Kijk hier voor de informatie over ondersteunde USB WiFi adapters:

http://dune-hd.com/support/hw_compat/

Limitaties

Verenigbaarheid/interactie van de speler met een bepaalde hardware (A/V-apparatuur, Netwerkkapparatuur, diskdrives, enz) kan afhangen van verschillende factoren (met name hardware model, specifieke kenmerken van de hardware-installatie en het gebruik, de configuratie van de speler en de hardware, etc). Als de speler niet correct werkt met bepaald hardware, probeer dan om de configuratie van de speler of hardware aan te passen, proberen om de hardware te gebruiken op een andere manier, of om een andere hardware te gebruiken proberen. Verenigbaarheid/interactie van de speler met bepaalde media-inhoud (bestanden, schijven, enz.) kan afhangen van verschillende factoren (specifieke kenmerken van media-inhoud codering, specifieke kenmerken van de configuratie van de speler, etc). Als de speler niet goed speelt een bepaalde media-inhoud, probeer dan om de configuratie van de speler, of probeer media te gebruiken welke gecodeerd is op een andere manier.

Updaten van uw speler en het vinden van meer informatieve

Controleer regelmatig op bijgewerkte versies van de firmware

<http://dune-hd.com/firmware/>

(Opmerking: U kunt de speler ook middels de online firmware upgrade functie van de speler updaten, zie Setup / misc / Firmware upgrade.)

Kijk hier voor de up to date informatie aangaande handleidingen en support:

<http://dune-hd.com/manuals/>

<http://dune-hd.com/support/>

Uitbreiding Module systeem HD Smart lijn

De Dune HD Smart lijn stelt de gebruiker in staat om zijn eigen combinatie te creëren, door de basis unit, zoals de HD Smart B1/H1/D1, uit te breiden met diverse extensie modules zoals de:

- Dune HD Smart HE (SATA 3.5" HDD hot swap bay, voor het makkelijk toevoegen van een harde schijf).
- Dune HD Smart ME (geeft u de mogelijkheid om diverse interne modules te kunnen installeren)

Uitbreiding modules werken alleen in combinatie met een basis speler, (Dune HD Smart speler) aangezien de aansturing vanuit deze basis unit gebeurt. De gebruiker kan diverse combinaties maken, naar gelang de behoefte. Hierbij niet gelimiteerd tot 1 of 2 modules, u kunt zelfs 6 modules aansluiten.

Ok het geheel netjes te plaatsen naast elkaar, zijn er speciale beugels beschikbaar om 2 of 3 units horizontaal aan elkaar te koppelen. 3 gekoppelde units zal dan de standard breedte van reguliere apparaten hebben (42cm/19inch)

Deze optie maakt van de Smart lijn, een flexibele en op de toekomst gerichte oplossing. Eenvoudig zaken uitbreiden of vervangen bij upgrades.

Aanvullende informatie is beschikbaar op de internet site <http://www.dune-hd.com>

Introducción

Dune HD Smart B1 es la solución todo en uno, con reproducción de vídeo Full HD (1080p), que combina un reproductor universal de alta definición con un reproductor de discos Blu-ray en un solo dispositivo.

Características principales

- **El nuevo procesador Sigma Designs 8642:** disfrute de la reproducción y un excelente rendimiento de las características interactivas.
- **Blu-ray and DVD player:** reproduce discos Blu-ray's y DVD's (además de CD de audio y discos de datos con vídeo / música / archivos de fotos).
- **Reproducción desde el disco duro:** conecte un disco duro al reproductor y reproduzca el contenido desde el disco duro.
- **Reproducción en red:** conecte el reproductor a una red local y reproduzca directamente desde el PC o NAS (UPnP, SMB, NFS).
- **Reproduce MKV:** reproduce vídeo HD y SD en el popular formato MKV y otros formatos de vídeo modernos, incluida la alta calidad de vídeo HD con bitrate muy alto.
- **RealD:** vea vídeos en este formato 3D ultra moderno, utilizado en el cine de las últimas películas.
- **Audio de alta definición:** disfrute del audio de alta calidad (Dolby TrueHD, DTS HD Master Audio, LPCM, FLAC).
- **3 puertos USB:** conecte discos duros, unidades flash USB, lectores de tarjetas USB y otros dispositivos de almacenamiento USB.
- **Puerto eSATA:** conecte un disco duro a través de la interfaz eSATA.
- **Ranura para tarjetas SD:** reproduzca fácilmente archivos multimedia desde la tarjeta de memoria SD de tu cámara u otros dispositivos, o utilice una tarjeta de memoria SD como almacenamiento local o de sistema (necesaria para la función BD Live).
- **HDMI 1.3:** garantizar la máxima calidad de vídeo HD y audio HD.
- **Un amplio conjunto de conectores A / V:** Use S/PDIF óptico, audio estéreo, vídeo componente, salidas de vídeo compuesto para conectar fácilmente a cualquier equipo de A / V.
- **El soporte flexible para Dolby TrueHD y DTS-HD Master Audio:** salida como bitstream o en LPCM cuando conecte equipos de audio.
- **Flexibilidad de salidas de vídeo:** salida de vídeo en cualquier resolución y formato (de SD a 1080p, 24p/PAL/NTSC).
- **Mejora de la resolución:** escalado de alta calidad de DVD y cualquier otro contenido de vídeo SD en Full HD (1080p) o de otro tipo de resolución de alta definición.
- **Explorador de archivos:** práctico explorador de archivos con gestión de ficheros (copiar, mover, eliminar, renombrar, organizar, ordenar).

Funciones adicionales

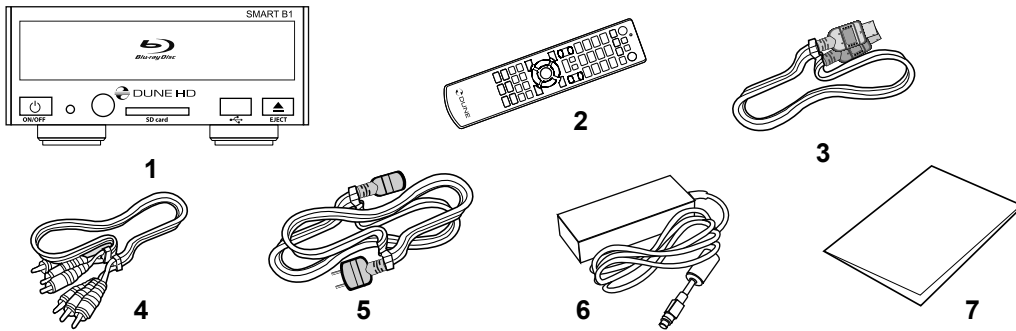
- **Reproducción de música en alta calidad:** reproducción de muy alta calidad (hasta 192 KHz / 24-bit) de archivos de música en varios formatos (FLAC, APE Monkey's Audio, WAV / PCM, DTS, etc).
- **Listas de reproducción:** construye listas de reproducción a partir de tus carpetas, utiliza tus propias listas, repita el uso y funciones de reproducción aleatoria.
- **Función NAS:** acceder a archivos en dispositivos de almacenamiento (disco duro, unidad óptica, etc) conectado al reproductor desde la red local (mediante SMB o FTP).
- **BitTorrent:** uso incorporado del cliente BitTorrent para descargar archivos desde redes P2P.
- **Interfaz de usuario personalizable:** trabaje con colecciones de imágenes e iconos para personalizar su interfaz de usuario (con imágenes Full HD).
- **Aplicaciones Flash:** amplíe las posibilidades de su reproductor con aplicaciones FlashLite.
- **Internet radio:** reproduzca y grabe varias estaciones de radio por Internet (HTTP/MP3).
- **IPTV:** reproduzca y grabe streams IPTV (multicast UDP / RTP) de su proveedor de Internet *.
- **La televisión digital (opcional):** reproduzca y grabe canales de TV digital utilizando el adaptador USB TV Digital dongle **.
- **Navegación en Internet:** ver sitios web de Internet en su TV usando el navegador integrado Web ***.

* Consultar disponibilidad de multidifusión UDP / RTP con su proveedor de Internet.

** El adaptador USB TV Digital dongle no está incluido; esta opción se puede adquirir por separado.

*** El navegador Web incorporado tiene limitaciones y no puede acceder a algunos sitios Web de Internet.

Contenido del paquete

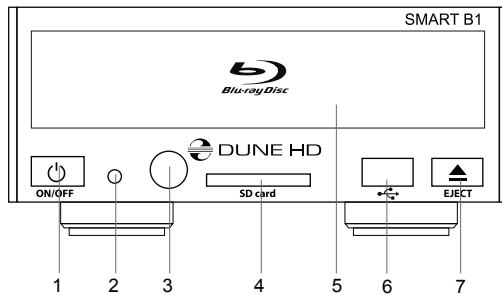


- | | | |
|---|---------------------------|-------------------------------|
| 1. Dune HD Smart B1 media player | 4. Cable AV | externa |
| 2. Mando a distancia (pilas no incluidas) | 5. Cable de alimentación | 7. Guía de instalación rápida |
| 3. Cable HDMI | 6. Fuente de alimentación | |

NOTA: Los accesorios opcionales pueden ser incluidos en el paquete, dependiendo de la configuración del reproductor, de la región, y del distribuidor.

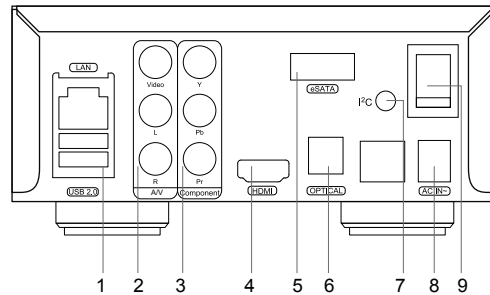
Exterior

Vista frontal



1. Botón ON/OFF
2. Indicador LED
3. IR eye
4. Ranura para tarjeta SD
5. Unidad de discos ópticos
6. Puerto USB 2.0
7. Botón expulsar

Vista trasera

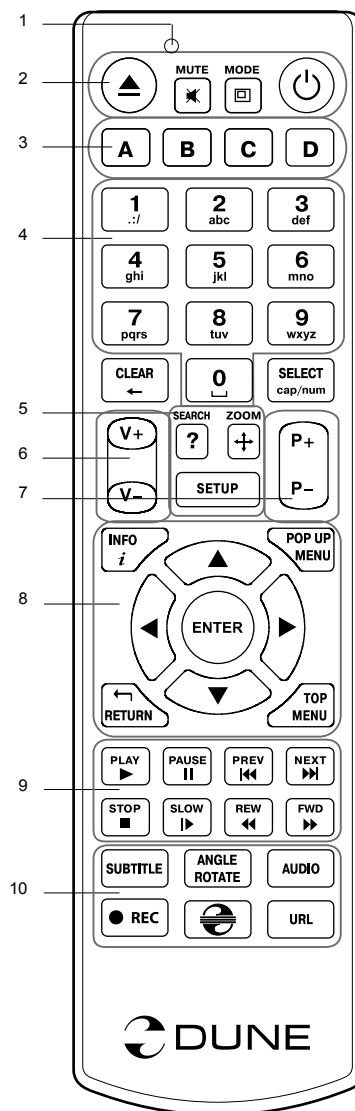


1. LAN and 2xPuerto USB 2.0
2. Vídeo compuesto y salida de audio analógico estéreo
3. Salida de vídeo por componente (Y / Pb / Pr)
4. HDMI 1.3
5. Puerto eSATA
6. Salida audio óptica digital
7. Conector de bus dedicado (I2C) (para la conexión de dispositivos externos) *
8. DC power 12V
9. Interruptor

* No para auriculares u otros dispositivos A / V; Al conectar los auriculares u otros dispositivos A / V puede dañar su equipo.

Mando a distancia

1. Indicador de comandos — parpadea en respuesta a la presión del botón RC
2. **EJECT** — abrir / cerrar la bandeja de la unidad óptica. **MUTE** — desactiva el sonido de encendido / apagado. **MODE** — cambiar el modo de salida de video, el control de algunas funciones de otro reproductor. **POWER** — cambiar el modo de espera.
3. **A (roja)**, **B (verde)**, **C (amarillo)**, **D (azul)** — Acceso a funciones de discos Blu-ray, control de algunas funcionalidades de otro reproductor
4. **0-9** — introducir números y texto, c control de algunas funciones de otro reproductor
5. **BUSQUEDA** — saltar a una posición de reproducción especificada. **ZOOM** — cambiar el factor de zoom para el contenido de video que se está reproduciendo. **CONFIGURACION** — entrar / salir del menu de configuración de reproducción durante la reproducción.
6. **V+/V-** (aumento de volumen / volumen abajo) — ajustar el volumen.
7. **P+/P-** (Página arriba / Página abajo) — desplazarse hacia arriba y hacia abajo en varias listas, control de algunas funciones de otro reproductor.
8. Flechas (**IZQUIERDA, DERECHA, ABAJO, ARRIBA**), **ENTER**, **RETRUN**, **MENU ARRIBA**, **MENU EMERGENTE**, **INFO** — botones principales para controlar el reproductor (navegar por los elemento de la pantalla, abrir/utilizar el elemento seleccionado en ese momento, volver a la pantalla anterior, ir al menu principal, mostrar el menu emergente con las acciones, información que se presenta, control de algunas funciones de otro reproductor)
9. **PLAY**, **PAUSE**, **STOP**, **SLOW**, **REW**, **FWD**, **ANTERIOR**, **SIGUIENTE** — control de la reproducción.
10. **SUBTITULOS**, **AUDIO URL/2ND**, **ANGULO/ROTAR**, **REPETIR**, **SHUFFLE/PIP**, **AUDIO** - control de la reproducción y algunas funciones de otro reproductor.



NOTAS:

- Use pilas alcalinas AAA
- Observe la polaridad de las pilas antes de insertarlas.
- Dirigir el mando a distancia hacia el reproductor. No debe haber obstáculos entre el mando a distancia y el reproductor.
- Si las funciones del mando a distancia sólo funcionan en distancias cortas o deja de funcionar, asegúrese de cambiar las pilas.
- Algunos botones de del mando a distancia pueden tener varias funciones dependiendo del modo para el reproductor actual.
- Algunos botones del mando distancia pueden estar disponibles sólo en ciertos modos del reproductor o sólo durante la reproducción de un determinado contenido.

Primeros pasos

Retire la película transparente que protege el panel frontal del reproductor para garantizar buen aspecto del reproductor.

Asegúrese de que haya suficiente espacio alrededor del reproductor para una refrigeración adecuada. El espacio a cada lado no deberá ser inferior a 10 cm.

Asegúrese de que al mando a distancia se le han instalado las pilas.

Conecte el reproductor a su TV y otros equipos de A / V de manera adecuada. Use conexión HDMI para obtener la mejor calidad posible de vídeo y audio. Asegúrese de apagar el reproductor y todos los equipos A / V antes de conectarlos. Asegúrese de que su TV y otros equipos de A / V están configurados para utilizar la salida adecuada.

Encienda el reproductor. El reproductor llevará a cabo su procedimiento de carga inicial, que puede tardar hasta 1 minuto aproximadamente. Durante el procedimiento de carga, el logo "Dune" se muestra en el televisor.

- Si usted no ve el logo de "Dune" en el televisor cuando se enciende el reproductor, puede significar algún problema con la conexión entre el reproductor y el televisor o que hay una mala configuración en la salida de la TV o un receptor A / V / interruptor. En tal caso, vuelva a comprobar los cables y la configuración de la TV o el receptor A / V / switch, o trate de utilizar cables diferentes o una manera diferente de conectar el reproductor al TV.
- Si ve el logo de "Dune" en el televisor cuando se enciende el reproductor, pero luego la imagen desaparece y no aparece otra imagen durante al menos 10 segundos, esto puede significar que un modo de vídeo de salida está mal configurado en el reproductor. En tal caso, pulse la tecla "**MODE**" del Mando a distancia, y a continuación, presione uno de los botones del Mando a Distancia "**1**", "**2**", "**3**", "**4**" o "**5**" para cambiar a un modo diferente de salida de vídeo (ver "Ajuste rápido del modo salida de vídeo").

Por último, debería ver la pantalla principal del menú. La pantalla principal muestra los elementos que permiten utilizar las funciones diferentes del reproductor y acceder a todos los dispositivos de almacenamiento y unidades de red conectadas.

Ajuste la configuración del reproductor, en "Configuración" dentro de la pantalla principal del menú del reproductor (o presione el "setup" del mando a distancia). En particular, es posible que desee ajustar la configuración de vídeo, ajustes de audio, y la configuración de red.

Para seleccionar el idioma del menú, utilice "**Setup / General / Idioma de la interfaz**" de ajuste.

Utilice el botón del mando a distancia "**IZQUIERDA**", "**DERECHA**", "**ARRIBA**", "**ABAJO**", "**ENTER**", "**VOLVER**" para navegar por el menú del reproductor. Utilice el botón "**MENU**" del mando a distancia para mostrar la lista de comandos disponibles. Utilice la opción "**INFO**" del mando a distancia para mostrar la información acerca del elemento seleccionado.

Ajuste rápido del modo salida de vídeo

El botón "**MODE**" del Mando a distancia permite que se cambien rápidamente los modos de salida de vídeo sin entrar en el menú de configuración del reproductor.

Esta forma de configuración de salida vídeo puede ser necesaria si usted no ve ninguna imagen en la pantalla después de conectar su reproductor a un televisor.

Pulse el botón "**MODE**" del Mando a distancia y después uno de los botones del Mando a Distancia "**1**", "**2**", "**3**", "**4**", o "**5**" para cambiar a uno de los modos de salida de vídeo siguientes:

1. Compuesto / Componente, PAL
2. Compuesto / Componente, NTSC
3. HDMI, 480i, 60 Hz
4. HDMI, 720p, 60 Hz
5. HDMI, 1080i, 60 Hz

Después de ver una imagen en el televisor, presione "**ENTER**" en el Mando a Distancia y, a continuación, vaya al menú de configuración del reproductor para realizar una configuración más precisa del modo de salida de vídeo si es necesario.

NOTA: El procedimiento de ajuste rápido del Modo Salida de vídeo no se puede utilizar durante la reproducción. Para garantizar este procedimiento, encienda el reproductor, luego encienda el reproductor, y espere alrededor de 1 minuto para asegurar que la carga del reproductor está acabada.

Reproducción de discos ópticos

Para reproducir un disco óptico, asegúrese de que está en la pantalla principal del menú del reproductor e inserte el disco óptico en la Unidad de Ópticos discos del reproductor. El reproductor reconocerá el disco óptico, y activará la imagen correspondiente a la Unidad de Ópticos discos. Dependiendo de la configuración del reproductor, el reproductor puede iniciar automáticamente la reproducción del disco o solicitar una confirmación para reproducir el disco.

Conexión de las unidades USB

Para conectar una unidad USB, asegúrese de que está en la pantalla principal del menú del reproductor y conecte la unidad USB a un puerto USB del reproductor. El reproductor reconocerá la unidad USB, y mostrará el icono que corresponde a la unidad USB en la pantalla principal.

Al conectar una unidad USB que requieren energía (tal como USB HDD), utilice una fuente de alimentación externa para la unidad USB. La potencia suministrada por los puertos USB del reproductor puede no ser suficiente para el correcto funcionamiento de la unidad USB.

No desconecte o apague la unidad USB cuando una operación de escritura este en curso.

Uso de tarjetas de memoria SD

Para insertar una tarjeta de memoria SD, asegúrese de que está en la pantalla principal del menú del reproductor e inserte la tarjeta de memoria en la ranura para tarjetas SD. El reproductor reconoce la tarjeta de memoria y mostrará un icono que corresponde a la tarjeta de memoria en la pantalla principal. Algunas tarjetas de memoria SD no pueden ser reconocidas por el reproductor o pueden funcionar incorrectamente, en cuyo caso, use otros modelos de tarjetas de memoria SD.

No expulse la tarjeta de memoria SD cuando se esté escribiendo en ella.

Conexión de unidades eSATA

Para conectar una unidad eSATA, apague el reproductor y la unidad eSATA, conecte la unidad eSATA al puerto eSATA del reproductor (y conecte la unidad eSATA a su fuente de alimentación), encienda la unidad eSATA y, como último paso, encienda el reproductor. El reproductor reconocerá la unidad eSATA, y mostrará un icono que corresponde a la unidad eSATA en la pantalla principal del menú del reproductor.

Apague y desconecte la unidad eSATA sólo después de apagar el reproductor.

Obtener acceso a unidades de red

En la pantalla principal del menú del reproductor, pulse el botón "MENU" del mando a distancia, y seleccione "Crear carpeta de red", y luego configure los parámetros de red. El reproductor mostrará un icono que corresponde a la unidad de red en la pantalla principal.

Para examinar la lista de la red utilice "Network Browser" para acceder a SMB o protocolos UPnP. NOTA: Si algunas características de la red no se muestran en el reproductor, puede que tenga que esperar unos minutos y vuelva a intentar (o pulse la tecla "MENU" del Mando a distancia y elija la opción "Actualizar").

Formatear el disco duro

Para formatear un disco duro conectado al reproductor, seleccione la unidad en la pantalla principal del menú del reproductor, pulse la tecla "INFO" del Mando a distancia y elija la opción "Formato de disco" (Para dar formato al disco entero) o "Formato de partición" (o formato a una partición de disco ya existentes solamente). El reproductor formateará el disco con el sistema de archivos "EXT2".

NOTA: Para utilizar discos formateados por el reproductor en un PC con Windows, es posible que tenga que instalar algún software en el PC, como "Ext2fsd" (<http://www.ext2fsd.com/>).

Encendido y apagado del reproductor

Para encender el reproductor, asegúrese de el interruptor de encendido en el panel trasero está en «I», y pulse la tecla «Power» del mando a distancia o el «botón on / off» en el panel frontal.

Para poner el reproductor en el modo standby, pulse la tecla «Power» del Mando a distancia o el «botón on / off» en el panel frontal. Para salir del modo de espera, pulse cualquiera de estos botones de nuevo.

Dependiendo de la configuración del reproductor (ver el menú de configuración del reproductor), se puede utilizar “Stanby de hardware” o un “Stanby de software”. En el «modo» de espera del hardware, casi se completa el apagado el reproductor consume muy poca energía. En el «modo» de espera del software, el reproductor no produce ninguna señal en la salida de vídeo, pero todavía está funcionando. Por ejemplo, si usted tiene algunos dispositivos de almacenamiento conectados al reproductor, es posible acceder a ellas desde la red («la función NAS» del reproductor). Para salir del modo de espera del «software» el reproductor sólo tarda unos segundos. Cuando el reproductor está en el «modo» de espera del software, sigue consumiendo energía significativa. No se recomienda para mantener el reproductor en el modo de espera de software durante mucho tiempo si no lo necesita.

Para apagar el reproductor por completo, cambie el interruptor de encendido del panel trasero. No lo haga si alguna unidad está conectada al reproductor y hay algunas operaciones de escritura en progreso.

NOTA: Después de apagar el reproductor o dejando al reproductor en modo de espera de hardware, se recomienda esperar aproximadamente 1 minuto antes de encenderlo de nuevo.

NAS (Network Attached Storage)

Puede acceder a dispositivos de almacenamiento conectados al reproductor desde la red local a través de FTP y SMB protocolos. En un PC con Windows, simplemente escriba “ftp://ip_address” o “\\ dirección_ip” en el explorador de Windows, donde “dirección IP” es la dirección IP del reproductor.

WiFi

Usted puede usar un adaptador USB WiFi para conectar el reproductor a la red local a través de WiFi.

Consulte aquí para obtener la información sobre el soporte de adaptadores USB WiFi:

http://dune-hd.com/support/hw_compat/

Limitaciones

La compatibilidad del reproductor con un hardware especial (equipo A / V, equipos de red, unidades de disco, etc) puede depender de varios factores (Modelo de hardware, detalles de instalación del hardware y uso, la configuración del reproductor y el hardware, etc). Si el reproductor no funciona correctamente con un hardware en particular, tratar de ajustar la configuración del reproductor o del hardware, trate de usar el hardware de una manera diferente, o tratar de utilizar algún otro hardware.

La compatibilidad del reproductor con un contenido determinados (archivos, discos, etc) puede depender de varios factores (características específicas de los archivos, requisitos específicos de la configuración del reproductor, etc). Si el reproductor no puede reproducir correctamente un contenido de determinado, trate de ajustar la configuración del reproductor, o trate de usar el contenido con una codificación diferente.

Actualización de su reproductor

Por favor, pinche aquí para obtener versiones actualizadas del firmware del reproductor (puede mejorar el funcionamiento del reproductor y ampliar sus posibilidades):

<http://dune-hd.com/firmware/>

(**NOTA:** También puede conectar el reproductor a Internet y utilizar la función de actualización del firmware en línea, consulte Configuración / Varios / actualización de firmware.)

Por favor, consulte aquí para obtener más detalles y la documentación actualizada e información sobre uso del reproductor:

<http://dune-hd.com/manuals/>

<http://dune-hd.com/support/>

Sistema modular del reproductor

Los reproductores Dune HD Smart permiten crear configuraciones personalizadas basadas en una unidad primaria como Dune HD Smart B1/H1/D1 y varios módulos de ampliación opcionales, que se pueden combinar para formar un reproductor.

El reproductor Dune HD Smart en sí es una unidad principal que se puede extender a voluntad del usuario con los módulos de extensión, tales como las siguientes:

- Dune HD Smart HE (la opción para una fácil instalación de HDD SATA 3.5 " con función hot swap).
- Dune HD Smart ME (la opción para la instalación de diferentes módulos adicionales).

Los módulos de extensión pueden trabajar exclusivamente como unidad principal (Dune reproductor HD Smart) y usar el sistema común de control, realizada por la unidad principal. El número de módulos relacionados entre sí puede variar en una amplia gama: el usuario puede compilar su propio sistema Dune HD Smart, por ejemplo, de dos, tres y hasta seis componentes.

Con el fin de agrupar 2 o 3 dispositivos en sentido horizontal, pueden ser utilizados montajes especiales. Por ejemplo, un grupo de 3 módulos, que incluye la unidad principal, será como el reproductor Dune HD Max.

Además, la agrupación de un número de módulos permite reemplazar la funcionalidad de Dune HD Max, proporcionando más flexibilidad, al mismo tiempo. En particular, el enfoque modular ofrece la posibilidad de módulos en cualquier orden, en cualquier momento dependiendo de la demanda del usuario, así como la sustitución (mejora) módulos particulares en lugar de reemplazar todo el equipo. Más información disponible en Internet

<http://www.dune-hd.com>

Introduzione

Dune HD Smart B1 è una soluzione tutto-in-uno per la riproduzione di video Full HD (1080p), combinata a un media player universale ad alta definizione e un moderno lettore Blu-ray disc in una sola periferica.

Caratteristiche principali

- **Il nuovo processore Sigma Designs 8642:** godrai di un'eccellente riproduzione e ottime performance nelle caratteristiche interattive.
- **Blu-ray e DVD player:** riproduzione di Blu-ray e DVD (più Audio CD e dischi dati con video/musica/foto file).
- **HDD player:** connetti un HDD al player e riproduci i contenuti direttamente dall'HDD.
- **Network player:** connetti il player alla rete locale e riproduci i contenuti direttamente dal PC o NAS (UPnP, SMB, NFS).
- **MKV player:** riproduci video HD e SD nel popolare formato MKV e altri moderni formati, inclusi i video HD migliori con altissimo bitrate.
- **RealD:** guarda video 3D in questo formato ultra moderno usato al cinema per gli ultimissimi film.
- **HD audio:** godrai delle tracce audio al top della qualità (Dolby TrueHD, DTS HD Master Audio, LPCM, FLAC).
- **3 porte USB:** connetti facilmente HDD, USB flash drive, USB card reader e altri dispositivi di memorizzazione USB.
- **Porta eSATA:** connetti un HDD tramite la più efficiente interfaccia eSATA.
- **Slot per schede SD:** riproduci facilmente i file sulla memory card SD dalla tua fotocamera o altre periferiche o usa la memoria SD come disco locale o di sistema (richiesto per la funzione BD Live).
- **HDMI 1.3:** assicura la qualità migliore possibile per HD video e HD audio.
- **Un set ricco di connettori A/V standard:** S/PDIF audio ottico, audio stereo, video componente, video composito per connettere facilmente qualsiasi equipaggiamento A/V.
- **Supporto flessibile per Dolby TrueHD e DTS HD Master Audio:** uscita come bitstream o decodifica a LPCM.
- **Flessibilità per le uscite Video:** uscita video in ogni formato e risoluzione (da SD a 1080p, 24p/PAL/NTSC).
- **Upscaling:** upscaling di alta qualità per DVD e qualsiasi altro video SD alla risoluzione Full HD (1080p) o altre risoluzioni HD.
- **File browser:** naviga tra i file facilmente e gestiscili come vuoi (copia, sposta, cancella, rinomina, organizza, ordina).

Funzioni Extra

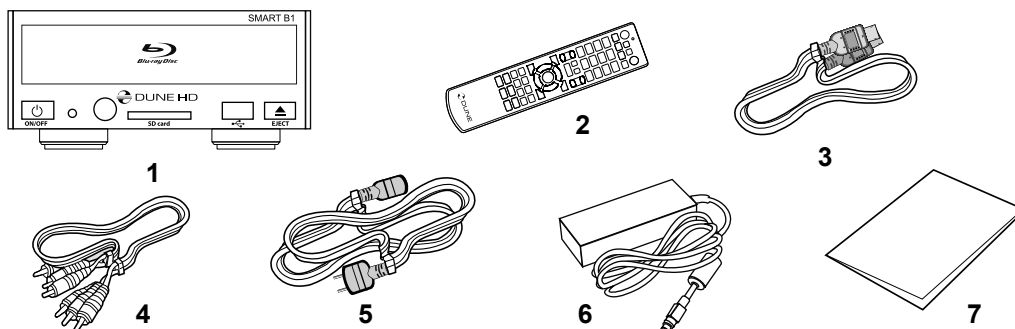
- **Riproduzione di file musicali di alta qualità:** riproduzione ad alta qualità (fino a 192 kHz / 24-bit) di file musicali in vari formati (FLAC, Monkey's Audio APE, WAV/PCM, DTS, etc).
- **Playlist:** costruisci liste di brani dalle cartelle, utilizza la tua playlist, usa le funzioni di ripetizione e riproduzione casuale
- **Funzione NAS:** accedi ai file presenti su dispositivi di memorizzazione (HDD, lettore ottico, etc) collegati al player dalla rete locale (usando SMB o FTP).
- **BitTorrent:** usa il client BitTorrent incorporato per scaricare file dalle reti P2P.
- **Interfaccia utente personalizzabile:** associa alla tua collezione multimediale delle copertine e icone per la navigazione (con grafica Full HD).
- **Applicazioni Flash:** estendi le funzionalità del player con le applicazioni FlashLite.
- **Internet radio:** riproduci e registra varie stazioni Internet radio (HTTP/MP3).
- **IPTV:** riproduci e registra stream IPTV (multicast UDP/RTP) del tuo Internet provider*.
- **Opzione TV Digitale:** riproduci e registra canali tv digitali (Digitale Terrestre) con la chiavetta USB Digital TV opzionale**.
- **Navigazione Internet:** guarda siti Internet Web sulla tua tv usando il Web Browser incorporato***.

* Controlla la disponibilità di stream multicast UDP/RTP col tuo Internet provider.

** La chiavetta USB Digital TV non è inclusa; questa opzione può essere comprata separatamente.

*** Il Web browser integrato ha limitazioni e non permette di vedere alcuni siti internet.

Contenuto della confezione

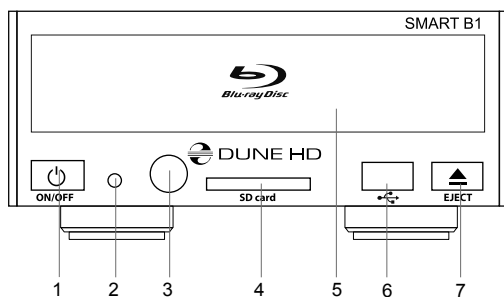


- | | | |
|---|--------------------------|-------------------------|
| 1. Dune HD Smart B1 media player | 3. cavo HDMI | 6. Alimentatore esterno |
| 2. Telecomando (le batterie possono non essere incluse) | 4. cavo AV | 7. Guida rapida |
| | 5. Cavo di alimentazione | |

NOTA: componenti aggiuntivi (opzionali) possono essere inclusi nella confezione a seconda della configurazione del player, della regione e del distributore.

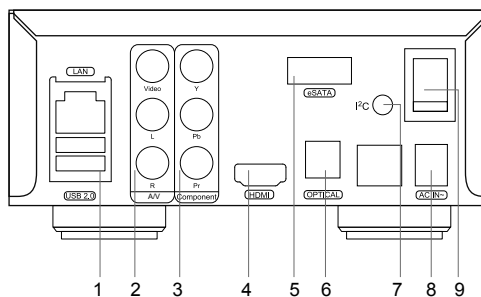
Esterno

Vista frontale:



1. Tasto On/off
2. indicatore LED
3. sensore IR
4. lettore memorie SD
5. lettore dischi ottico
6. USB 2.0
7. tasto Eject

Vista posteriore:



1. LAN e 2xUSB 2.0
2. Video Composito e uscita audio stereo
3. Uscita video Componente (Y/Pb/Pr)
4. HDMI 1.3
5. eSATA
6. Uscita audio digitale ottico
7. Connettore dedicato (I2C) (per future connessioni con periferiche esterne)*
8. DC alimentazione 12V
9. Interruttore di corrente

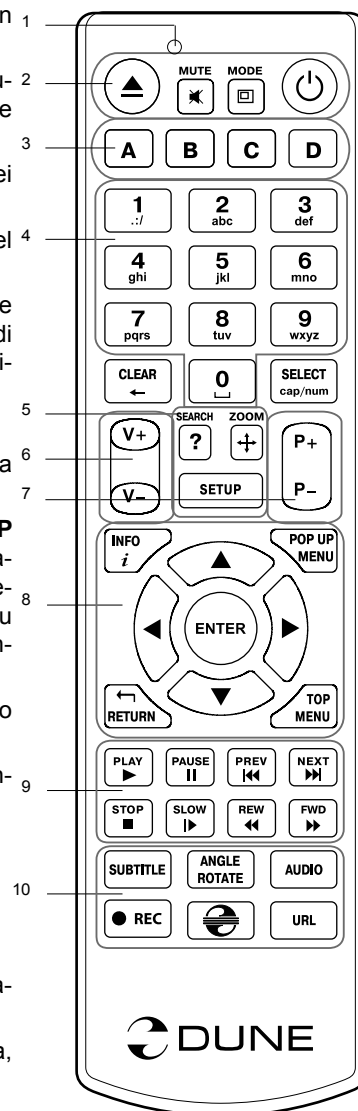
* Non per cuffie o altri apparecchi A/V; connettendo cuffie o altri apparecchi A/V puoi danneggiare il tuo equipaggiamento

Telecomando

1. Indicatore di comando — lampeggia in risposta alla pressione di un comando.
2. **EJECT** — apre/chiude il vano del lettore dischi. **MUTE** — toglie l'audio. **MODE** — cambia la modalità video in uscita; controlla qualche altra funzione del player. **POWER** — mette in standby.
3. **A (Rosso), B (Verde), C (Giallo), D (Blu)** — accede alle funzioni dei dischi Blu-ray; controlla qualche altra funzione del player.
4. **0-9** — inserisce numeri e testo; controlla qualche altra funzione del player.
5. **SEARCH** — salta a una specifica posizione durante la riproduzione del video. **ZOOM** — cambia il fattore dello Zoom del video in corso di riproduzione. **SETUP** — entra/esce dal menu di impostazioni; modifica impostazioni di riproduzioni durante una riproduzione.
6. **V+/V-** (volume su / volume giù) — modifica il volume.
7. **P+/P-** (pagina su /pagina giù) — scorre su o giù varie liste; controlla qualche altra funzione del player.
8. Frecce (**SINISTRA, DESTRA, SU, GIÙ**), **ENTER, RETURN, TOP MENU, POP UP MENU, INFO** — tasti principali per navigare nel player (navigare tra gli oggetti sullo schermo, aprire/usare l'oggetto selezionato, tornare indietro alla schermata precedente, tornare al menu principale, vedere il menu popup con le azioni possibili, vedere le informazioni, controllare qualche altra funzione del player).
9. **PLAY, PAUSE, STOP, SLOW, REW, FWD, PREV, NEXT** — controllo della riproduzione.
10. **SUBTITLE, ANGLE/ROTATE, AUDIO, REC, DUNE, URL** — controllo della riproduzione e qualche altra funzione del player.

NOTE:

- Usa pile alcaline AAA.
- Rispetta la polarità quando inserisci le batterie.
- Direzione il telecomando verso il player. Non ci devono essere ostacoli tra il telecomando e il player
- Se il telecomando funziona solo a distanza ravvicinata o non funziona, cambia le batterie.
- Alcuni tasti del telecomando possono avere diverse funzioni a seconda della modalità in cui si trova il player.
- Alcuni tasti del telecomando possono funzionare solo in alcune modalità o durante l'esecuzione di alcuni contenuti.



Guida Iniziale

Rimuovi il film protettivo trasparente dal pannello frontale per dare un buon aspetto al player.

Assicurati che ci sia abbastanza spazio attorno al player per un raffreddamento ottimale. Lo spazio libero per ciascun lato non deve essere meno di 10 cm.

Assicurati che il telecomando abbia le batterie inserite.

Connetti il player alla tua TV o ad altro sistema A/V in modo appropriato. Usa la connessione HDMI per ottenere la migliore qualità possibile sia video che audio. Assicurati di aver spento il player e ogni altro apparato A/V prima di connetterli. Assicurati che la TV o altro apparato A/V sia configurato per usare la connessione adatta.

Accendi il Player. Il player inizierà una procedura di avviamento iniziale, che può durare anche 1 minuto. Durante il caricamento, il logo "DUNE" verrà mostrato sulla TV.

- Se non vedi il logo "DUNE" sulla TV quando accendi il player, può significare la presenza di qualche problema con la connessione tra il player e la TV o che l'ingresso video sbagliato è stato selezionato sulla TV o ricevitore A/V, o prova differenti cavi o differenti connessioni tra il player e la TV.
- Se vedi il logo "DUNE" sulla TV quando accendi il player, ma poi le immagini scompaiono e non appare più nulla nei successivi 10 secondi, può significare che nel player è configurata una modalità video errata. In questo caso, premi il tasto "**MODE**" sul telecomando e poi premi uno dei tasti del telecomando "**1**", "**2**", "**3**", "**4**" o "**5**" per cambiare le differenti modalità di uscita video (vedi "Impostazioni Rapide per la Modalità Uscita Video")

Alla fine, dovresti vedere la schermata principale del menu del player. La schermata principale mostra le icone che ti permettono di utilizzare le differenti funzionalità del player e accedere alle periferiche di memorizzazione e alle periferiche di rete collegate.

Modifica le impostazioni del player usando l'icona "**SETUP**" nella schermata principale (o premendo il tasto "**SETUP**" sul telecomando). In particolare puoi modificare le impostazioni video, audio e di rete.

Per selezionare la lingua dei menu del player, vai nelle impostazioni "Setup / General / Interface language".

Utilizza i tasti del telecomando "**SINISTRA**", "**DESTRA**", "**SU**", "**GIU**", "**ENTER**", "**RETURN**" per navigare tra i menu. Utilizza il tasto "**MENU**" per mostrare una lista dei possibili comandi.

Usa il tasto "**INFO**" per mostrare informazioni sull'elemento selezionato.

Impostazioni Rapide per la Modalità Uscita Video

Il tasto sul telecomando "**MODE**" permette l'impostazione rapida del video senza dover entrare nel menu impostazioni.

Questo metodo per la configurazione dell'uscita video può rendersi necessario se non si visualizzano le immagini sullo schermo dopo aver connesso il player.

Premi "**MODE**" e poi i tasti sul telecomando **1**, **2**, **3**, **4**, o **5** per impostare una delle seguenti modalità video, rispettivamente:

1. Composito/Componente; PAL
2. Composito/Componente, NTSC
3. HDMI, 480i, 60 Hz
4. HDMI, 720p, 60 Hz
5. HDMI, 1080i, 60 Hz

Dopo che le immagini sono apparse sulla TV, premi il tasto "**ENTER**" e poi vai nel menu di impostazioni del player per configurare in modo più preciso l'uscita video se necessario.

NOTA: la procedura di impostazione rapida dell'uscita video non può essere utilizzata durante la riproduzione di un video. Per assicurarsi che questa procedura sia utilizzabile, spegni il player e poi riaccendolo e aspetta circa un minuto per assicurarti che la procedura di avvio sia terminata.

Riproduzione di Dischi Ottici

Per riprodurre dischi ottici, assicurati di essere nella schermata principale del menu e inserisci il disco ottico nel lettore del player. Il player riconoscerà il disco e abiliterà l'icona per il lettore dischi ottici nel menu. A seconda delle impostazioni, il player può automaticamente iniziare la riproduzione o richiedere una conferma per avviare il disco.

Connettere Periferiche USB

Per connettere periferiche USB, assicurati di essere nella schermata principale del menu e connetti la periferica USB in una delle porte USB del player. Il player riconoscerà tale periferica e mostrerà l'icona corrispondente alla periferica USB nella schermata principale.

Quando connetti una periferica USB che richiede una quantità significativa di energia (come gli Hard Disk USB), usa un alimentatore esterno per tale periferica. La potenza erogata dalle porte USB del player potrebbe non essere sufficiente per alimentare la periferica USB e funzionare correttamente.

Non disconnettere o spegnere la periferica USB quando vi sono operazioni di scrittura in corso.

Usare Memory Card SD

Per inserire una memoria SD, assicurati di essere nella schermata principale del menu e inserisci la memory card nel lettore di memory card del player. Il player riconoscerà tale memory card e mostrerà un'icona corrispondente nel menu principale. Alcune memorie SD possono non essere riconosciute dal player e non funzionare correttamente; in questo caso, usa un altro modello di memory card SD.

Non estrarre la memory card SD quando sono in corso operazioni di scrittura.

Connettere periferiche eSATA

Per connettere periferiche eSATA, spegni sia il player che la periferica eSATA, connetti la periferica eSATA alla porta eSATA del player (e connetti la periferica eSATA al suo alimentatore), accendi la periferica eSATA e, come ultimo passaggio, accendi il player. Il player riconoscerà la periferica eSATA e mostrerà l'icona corrispondente nel menu principale.

Spegni e disconnetti la periferica eSATA solo dopo aver spento il player.

Accedere ai dispositivi di Rete

Per connettere un dispositivo di rete che utilizza il protocollo SMB (Samba) o NFS, assicurati di essere nel menu principale del player, premi il tasto del telecomando "MENU" e scegli "Crea una cartella di Rete" (in inglese «Create Network Folder»), poi inserisci i parametri del dispositivo di rete come richiesto. Il player mostrerà un'icona corrispondente al dispositivo di rete appena configurato nella schermata principale.

Per accedere a una lista di risorse di rete disponibili tramite i protocolli SMB o UPnP, usa l'icona nel menu principale "Network Browser".

NOTA: se qualche risorsa di rete non è mostrata dal player, può essere che tu debba aspettare qualche minuto e poi riprovare (o premere "MENU" sul telecomando e scegliere "Aggiorna").

Formattare l'HDD

Per formattare l'HDD collegato al player, seleziona l'icona corrispondente al disco nel menu principale del player, premi il tasto "INFO" sul telecomando e seleziona "Formatta Disco" (per formattare l'intero disco) o "Formatta Partizione" (per formattare una sola partizione già esistente sul disco). Il player formatterà il disco utilizzando il file system "EXT2".

NOTA: per usare dischi formattati dal player su un PC con Windows, avrai bisogno di installare software appositi come "EXT2FSD" (<http://www.ext2fsd.com/>).

Spegnere e Accendere il player

Per accendere il player assicurati di aver posizionato su On l'interruttore sul retro e premi il tasto sul telecomando "POWER" o il tasto "on/off" sul pannello frontale.

Per mettere il player in modalità standby, premi il tasto "POWER" sul telecomando o il tasto "on/off" sul pannello frontale. Per uscire dalla modalità standby premi uno di quei bottoni ancora.

A seconda delle impostazioni del player (vedi il menu impostazioni), potrà essere utilizzato l'"hardware standby" o il "software standby". In modalità "hardware standby" si avrà uno spegnimento più completo e il player non consumerà quasi nulla. In modalità "software standby" il player non produce alcun segnale video, ma il player è ancora in funzione. Per esempio, se hai qualche periferica di memorizzazione collegata al player, puoi continuare ad accedere ad essa dalla rete (funzione "NAS"). Per uscire dalla modalità "software standby" occorrono pochi secondi. Quando è in modalità "software standby" il consumo energetico è significativo. Non è raccomandato tenere il player in "software standby" per molto tempo se non lo utilizzi.

Per spegnere il player completamente, utilizzare il tasto on/off sul pannello posteriore. Non farlo mentre qualche periferica è connessa al player o sono in corso operazioni di scrittura.

NOTA: dopo aver spento il player o averlo posto in "hardware standby" è consigliabile aspettare un minuto prima di riaccenderlo ancora.

NAS (Network Attached Storage)

Puoi accedere a periferiche di memorizzazione connesse al player tramite la rete locale usando i protocolli FTP e SMB. Su un PC Windows basta scrivere "ftp:// indirizzo_ip" o "\\indirizzo_ip in Windows Explorer (Esplora Risorse), dove "indirizzo_ip" è l'indirizzo IP del player.

WiFi

Puoi utilizzare un adattatore WiFi USB per connettere il player alla rete locale tramite WiFi.

Prego leggere le informazioni sugli adattatori WiFi USB supportati:

http://dune-hd.com/support/hw_compat/

Limitazioni

La compatibilità del player con particolari hardware (apparecchiature A/V, periferiche di rete, dischi, etc.) può dipendere da vari fattori (modelli particolari di hardware, specifiche installazioni o utilizzi, configurazioni del player o dell'hardware, etc). Se il player non dovesse funzionare correttamente con un particolare hardware, prova a modificare la configurazione del player o dell'hardware, prova a usare l'hardware in modi differenti, o prova ad usare un altro hardware.

La compatibilità del player con particolari contenuti multimediali (file, dischi, etc) può dipendere da vari fattori (la codifica specifica del contenuto multimediale, configurazioni del player, etc.). Se il player non dovesse riprodurre correttamente un particolare contenuto multimediale, prova a modificare la configurazione del player, o prova a usare tale contenuto multimediale codificato in maniera differente.

Aggiornare il tuo Player e Ottenere Maggiori Informazioni

Prego controllare qui per versioni aggiornate del firmware (le quali possono migliorare il funzionamento o estendere le funzionalità del player):

<http://dune-hd.com/firmware/>

(Nota: puoi anche connettere il player a Internet e usare la funzione di aggiornamento firmware online, vedi Impostazioni / Misc / Firmware Upgrade).

Prego controllare qui per maggiori dettagli e la documentazione aggiornata del player:

<http://dune-hd.com/manuals/>

<http://dune-hd.com/support/>

Configurazione del Player tramite il Sistema Modulare

Dune HD Smart player permette di creare configurazioni personalizzate basate su una unità primaria ("head" o "testa") come il Dune HD Smart B1/H1/D1 e diversi moduli di estensione opzionali da scegliere, i quali possono essere combinati per formare un player integrato.

Il Dune HD Smart player stesso è una unità di "testa" che può essere estesa a piacere dall'utente con i moduli di estensione, come i seguenti:

- Dune HD Smart HE (aggiunge l'opzione per un'installazione semplice di dischi SATA da 3,5" con caratteristica di Hot Swap)
- Dune HD Smart ME (aggiunge l'opzione per installare altri differenti moduli addizionali)

I moduli di estensione possono lavorare esclusivamente con una unità di testa (Dune HD Smart player) e utilizzare un sistema comune di controllo, implementato tramite l'unità di testa. Il numero di moduli connessi può variare in un ampio range: l'utente può creare il proprio sistema Dune HD Smart composto da due, tre o anche sei componenti.

Per poter raggruppare i moduli SMART assieme per 2 o per 3 orizzontalmente, possono essere utilizzati speciali agganci. Per esempio, un gruppo da 3 moduli, inclusa l'unità di testa, creerà uno nuovo player dalla grandezza standard come il modello Dune HD Max.

Inoltre, raggruppando il numero necessario di moduli, potrete ottenere le funzionalità del Dune HD Max, ma con più flessibilità allo stesso tempo. In particolare, l'approccio modulare fornisce la possibilità di raggruppare moduli in qualsiasi ordine in ogni momento a seconda delle necessità dell'utente, così come sarà possibile rimpiazzare (aggiornare) particolari moduli invece di sostituire l'intero set di apparecchi.

Maggiori informazioni sono disponibili su Internet al sito

<http://www.dune-hd.com>

Введение

Dune HD Smart B1 представляет собой решение «все-в-одном» для воспроизведения видео вплоть до Full HD (1080p), объединяя в одном устройстве универсальный медиапроигрыватель высокой четкости (High Definition) и современный проигрыватель дисков Blu-ray.

Основные особенности

- **Новейший процессор Sigma Designs 8642:** обеспечивает отличное воспроизведение и высокую скорость работы с интерактивными возможностями.
- **Проигрывание Blu-ray и DVD:** воспроизведение дисков Blu-ray и DVD (а также Audio CD дисков с данными, содержащих видеоматериалы, музыку и фотографии).
- **Проигрывание с жесткого диска:** подключение жесткого диска к проигрывателю и воспроизведение содержимого непосредственно с этого диска.
- **Сетевой проигрыватель:** подключение проигрывателя к локальной сети и воспроизведение содержимого напрямую с ПК или NAS (UPnP, SMB, NFS).
- **Проигрывание MKV:** воспроизведение HD и SD видео в популярном формате MKV, а также в других современных форматах видеофайлов, включая HD-видео высочайшего качества с очень высоким битрейтом.
- **RealID:** смотрите 3D-видео в этом ультрасовременном формате, используемом в кинотеатрах для демонстрации последних новинок проката.
- **3 порта USB:** удобное подключение жестких дисков, накопителей USB-Flash, кард-ридеров и других USB-устройств хранения данных.
- **Порт eSATA:** подключение жесткого диска через наиболее производительный интерфейс eSATA.
- **Слот для карт памяти SD:** воспроизведение медиафайлов с карт памяти SD из видеокамеры/фотоаппарата или других устройств, использование карты памяти SD в качестве локального или системного накопителя (необходимо для функционирования BD Live).
- **HDMI 1.3:** обеспечивает наилучшее качество HD-видео и HD-аудио.
- **Полный набор стандартных аудио-видеоразъемов:** цифровой оптический аудиовыход, стереовыход, компонентный и композитный видеовыходы для удобного подключения плеера к любому A/V оборудованию.
- **Гибкая поддержка для Dolby TrueHD и DTS HD Master Audio:** вывод bitstream или декодирование в LPCM для максимальной гибкости при подключении аудиооборудования.
- **Гибкая система вывода видео:** вывод видео в любом разрешении и формате (от SD до 1080p, 24p/PAL/NTSC).
- **Увеличение разрешения (upscaling):** высококачественное повышение разрешения DVD и любых других SD-видеоматериалов до Full HD (1080p) или другого HD-разрешения.
- **Файловый браузер:** удобный файловый браузер с развитыми возможностями манипуляции файлами (копирование, перемещение, удаление, переименование, организация, сортировка).

Дополнительные функции

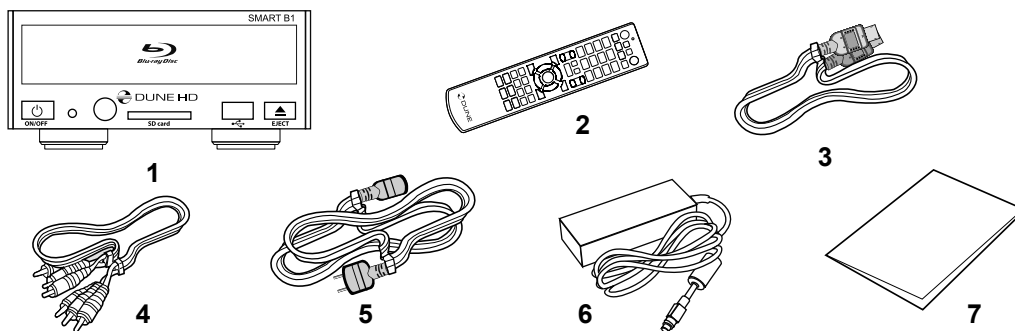
- **Воспроизведение аудиофайлов с наивысшим качеством:** до 192 КГц / 24-бит, в форматах FLAC, Monkey's Audio APE, WAV/PCM, DTS и других.
- **Плейлисты:** создание плейлистов из папок, использование собственных плейлистов, функции повтора и случайного воспроизведения.
- **Функция NAS:** доступ к файлам на накопителях (HDD, оптический привод, и т.п.), подключенных к плееру, из локальной сети (посредством SMB или FTP).
- **BitTorrent:** загрузка файлов из P2P-сетей с использованием встроенного в плеер BitTorrent-клиента.
- **Настраиваемый пользовательский интерфейс:** поддержка медиакolleкций с показом обложек и значков (с графикой Full HD).
- **Flash-приложения:** расширение функциональности плеера посредством FlashLite-приложений.
- **Интернет-радио:** воспроизведение и запись различных интернет-радиостанций (HTTP/MP3).
- **IPTV:** воспроизведение и запись IPTV-потокa (multicast UDP/RTP) от интернет-провайдера*.
- **Опция Digital TV:** воспроизведение и запись каналов цифрового телевидения посредством опционального USB-модуля Digital TV**.
- **Веб-браузер:** просмотр интернет веб-сайтов на ТВ посредством встроенного веб-браузера***.

* Узнавайте о наличии multicast UDP/RTP потоков у интернет-провайдера.

** USB-модуль Digital TV не входит в комплект поставки; данное устройство приобретается отдельно.

*** Встроенный веб-браузер имеет ограничения и может не позволять просматривать некоторые веб-сайты.

Содержимое коробки

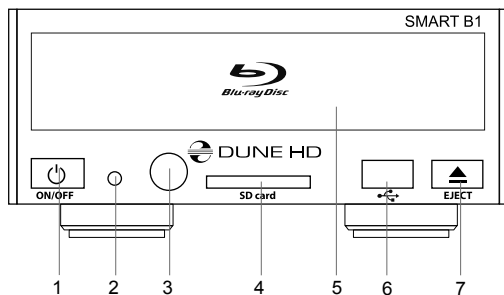


1. Проигрыватель Dune HD Smart B1
2. Пульт управления (батареи могут не входить в комплект)
3. Кабель HDMI
4. Аудио-видеокабель
5. Шнур питания
6. Внешний блок питания
7. Краткое руководство

ПРИМЕЧАНИЕ: Другие аксессуары (опционально) могут дополнительно включаться в комплект поставки в зависимости от конфигурации проигрывателя, региона и дистрибьютора.

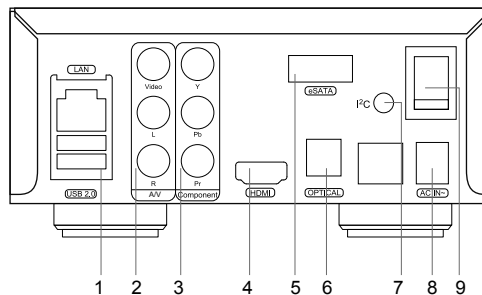
Внешний вид

Вид спереди:



1. Кнопка включения / выключения
2. LED-индикатор
3. ИК-приёмник
4. Слот для карт памяти SD
5. Оптический привод
6. Порт USB 2.0 host
7. Кнопка извлечения диска (EJECT)

Вид сзади:

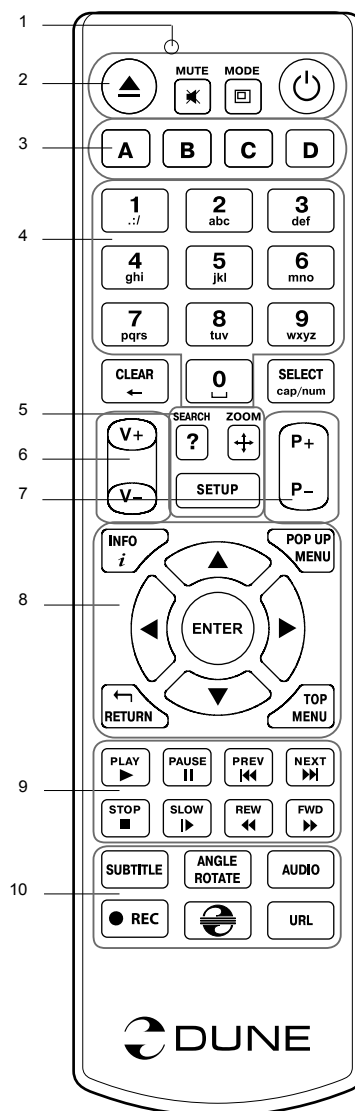


1. Порты LAN и 2xUSB 2.0 host
2. Композитный видеовыход и аналоговый стереовыход (левый/правый)
3. Компонентный Y/Pb/Pr выход
4. Выход HDMI 1.3
5. Порт eSATA
6. Оптический цифровой аудиовыход
7. Коннектор специализированной шины (I²C) (для будущего подключения внешних устройств)*
8. Разъём питания (12В)
9. Выключатель питания

* Разъём не предназначен для подключения наушников и других A/V устройств; подключение наушников или других A/V устройств может вывести оборудование из строя

Пульт управления

1. Индикатор команды — мигает в ответ на нажатия кнопок пульта.
2. **EJECT** — открытие/закрытие лотка оптического привода. **MUTE** — выключение и включение звука. **MODE** — переключение режимов видеовыхода; управление некоторыми другими функциями проигрывателя. **POWER** — перевод проигрывателя в/из режима ожидания.
3. **A (красная), B (зеленая), C (желтая), D (синяя)** — доступ к функциям Blu-ray; управление некоторыми другими функциями проигрывателя.
4. **0–9** — ввод цифр и текста; управление некоторыми другими функциями проигрывателя.
5. **SEARCH** — переход к заданной позиции воспроизведения. **ZOOM** — изменение масштаба воспроизводимых видеоматериалов. **SETUP** — вход/выход в меню настроек; настройка параметров воспроизведения во время воспроизведения.
6. **V+/V-** (увеличение громкости / уменьшение громкости) — изменение громкости.
7. **P+/P-** (страница вверх / страница вниз) — прокрутка вверх и вниз в различных списках; управление некоторыми другими функциями проигрывателя.
8. Стрелки (**ВЛЕВО, ВПРАВО, ВНИЗ, ВВЕРХ**), **ENTER, RETURN, TOP MENU, POP UP MENU, INFO** — основные кнопки управления проигрывателем (выбор элементов на экране, выбор/открытие текущего элемента, возврат к предыдущему экрану, переход к главному меню, вывод контекстного меню с действиями, показ информации, управление некоторыми другими функциями проигрывателя).
9. **PLAY, PAUSE, STOP, SLOW, REW, FWD, PREV, NEXT** — управление ходом воспроизведения.
10. **SUBTITLE, ANGLE/ROTATE, AUDIO, REC, DUNE, URL** — управление воспроизведением и некоторыми другими функциями проигрывателя.



Примечания:

- Используйте щелочные (alkaline) батарейки типа AAA.
- Соблюдайте полярность при установке батареек.
- Направляйте пульт на проигрыватель. Между пультом и проигрывателем не должно быть препятствий.
- Если пульт работает только с небольшого расстояния, замените батарейки.
- Некоторые кнопки пульта могут иметь несколько значений в зависимости от режима работы проигрывателя.
- Некоторые кнопки пульта могут работать только в некоторых режимах работы проигрывателя или при воспроизведении материалов определенного типа.

Начало работы

Убедитесь, что вокруг проигрывателя достаточно места для хорошего охлаждения. Пространство с каждой стороны должно быть не менее 10 см.

Убедитесь, что в пульт вставлены батарейки.

Подключите проигрыватель к телевизору и другому аудио-видеооборудованию должным образом. Используйте HDMI-подключение для получения максимального качества видео и звука. Убедитесь, что проигрыватель и все соответствующее аудио-видеооборудование выключено при проведении подключений. Убедитесь, что телевизор и прочее аудио-видеооборудование настроено на использование нужных входов.

Включите проигрыватель. Он проведет процедуру первоначального запуска, которая займет около минуты. Во время этой процедуры на экране телевизора будет показан логотип «DUNE».

- Если вы не видите логотипа «DUNE» на экране телевизора после включения проигрывателя, это может означать проблему соединения проигрывателя и телевизора, а также выбор неправильного видеовхода в телевизоре или аудио-видеоресивере/разветвителе. В этом случае, перепроверьте кабели и настройки телевизора или аудио-видеоресивера/разветвителя, или используйте другие кабели или другой способ подключения к телевизору.
- Если вы видите логотип «DUNE» на экране телевизора после включения проигрывателя, но затем изображение исчезает и ничего не появляется в течение хотя бы 10 секунд, это может означать, что в проигрывателе выбран неверный видеорежим. В этом случае, нажмите кнопку пульта **«MODE»**, а затем одну из кнопок **«1»**, **«2»**, **«3»**, **«4»** или **«5»** для включения другого видеорежима (см. "Быстрое изменение видеорежима").

В результате, вы должны увидеть главный экран меню проигрывателя. На главном экране показаны элементы, предоставляющие доступ к основным функциям проигрывателя и к содержимому всех подключенных к проигрывателю накопителей и сетевых дисков.

Настройки проигрывателя можно изменить, воспользовавшись элементом «Настройки» на главном экране меню проигрывателя (также можно воспользоваться кнопкой пульта **«SETUP»**). В частности, можно настроить параметры воспроизведения видео и аудио, а также параметры подключения к сети.

Для выбора языка меню проигрывателя, используйте настройку "Setup / General / Interface language".

Используйте кнопки пульта **«ВЛЕВО»**, **«ВПРАВО»**, **«ВВЕРХ»**, **«ВНИЗ»**, **«ENTER»**, **«RETURN»** для управления меню проигрывателя. Кнопка пульта **«MENU»** предназначена для показа списка доступных команд. Кнопка пульта **«INFO»** выводит информацию о выбранном элементе.

Быстрое изменение видеорежима

Кнопка пульта позволяет быстро настроить видеорежим видеовыхода без входа в меню настроек проигрывателя. Этот способ может понадобиться, если вы не видите изображение на экране после подключения проигрывателя к телевизору.

Нажмите кнопку пульта **«MODE»** и затем одну из кнопок **«1»**, **«2»**, **«3»**, **«4»** или **«5»** для включения одного из следующих видеорежимов:

1. Композитный/Компонентный, PAL
2. Композитный/Компонентный, NTSC
3. HDMI, 480i, 60 Гц
4. HDMI, 720p, 60 Гц
5. HDMI, 1080i, 60 Гц

После того, как изображение на экране появилось, нажмите **«ENTER»**, а затем зайдите в меню настроек проигрывателя для более детальной настройки видеорежима, если это необходимо.

ПРИМЕЧАНИЕ: Процедура быстрого изменения видеорежима недоступна во время воспроизведения. Для того, чтобы гарантированно выполнить эту процедуру, выключите проигрыватель, затем включите его снова и подождите около одной минуты для того, чтобы он успел провести процедуру начальной загрузки.

Воспроизведение оптических дисков

Для проигрывания оптического диска убедитесь, что вы находитесь на главном экране меню проигрывателя, и вставьте диск в оптический привод проигрывателя. Проигрыватель распознает вставленный диск, и соответствующий элемент станет доступен на главном экране. В зависимости от настроек проигрывателя, воспроизведение может начаться сразу же, либо может быть выдан запрос о начале воспроизведения.

Подключение USB-накопителей

Для подключения USB-накопителя убедитесь, что вы находитесь на главном экране меню проигрывателя, и подключите USB-накопитель к одному из USB-портов проигрывателя. Проигрыватель распознает накопитель, и на главном экране появится соответствующий USB-накопителю элемент.

При подключении USB-накопителя, которому требуется существенная мощность по питанию (например, жесткий диск), используйте внешний блок питания для USB-накопителя. Питание, которое предоставляет проигрыватель для USB-портов, может оказаться недостаточным для корректного функционирования USB-диска.

Не отсоединяйте и не выключайте USB-накопитель во время операций записи на него.

Использование карт памяти SD

Перед подключением карты памяти SD, убедитесь, что вы находитесь в главном меню проигрывателя, и после этого вставьте карту памяти в слот для карт памяти SD на передней панели проигрывателя. Проигрыватель распознает вставленную карту памяти, и на главном экране появится соответствующий карте памяти элемент. Некоторые карты памяти SD могут не распознаваться плеером или работать некорректно; в таком случае, используйте другие модели карт памяти.

Не извлекайте карту памяти SD из слота во время операций записи на нее.

Подключение eSATA-накопителей

Для того, чтобы подключить eSATA-накопитель, выключите и проигрыватель, и накопитель, произведите подключение eSATA-накопителя к eSATA-порту (и подключите eSATA-накопитель к его источнику питания), включите eSATA-накопитель, и, в последнюю очередь, включите проигрыватель. Проигрыватель распознает eSATA-накопитель на главном экране появится соответствующий eSATA-накопителю элемент.

Выключайте и отсоединяйте eSATA-накопитель только после выключения проигрывателя.

Доступ к сетевым дискам

Для подключения сетевого диска по протоколу SMB или NFS, убедитесь, что вы находитесь на главном экране меню проигрывателя, нажмите кнопку пульта «MENU» и выберите пункт «Создать сетевую папку», затем введите требуемые параметры сетевого диска. Проигрыватель будет показывать элемент, соответствующий этому сетевому диску, на главном экране.

Для просмотра списка доступных сетевых ресурсов по протоколу SMB или UPnP, воспользуйтесь элементом «Браузер сети» на главном экране меню проигрывателя. ПРИМЕЧАНИЕ: Если какие-то сетевые ресурсы не показываются проигрывателем, может потребоваться подождать несколько минут и повторить попытку (либо нажать кнопку пульта «MENU» и выбрать команду «Обновить»).

Форматирование жесткого диска

Для форматирования подключенного к проигрывателю HDD выберите соответствующую иконку в главном меню проигрывателя, нажмите кнопку «INFO» на ПДУ и выберите элемент «Форматирование диска» (для того, чтобы отформатировать весь диск) или «Форматирование раздела» (чтобы отформатировать уже существующий раздел). Проигрыватель произведет форматирование в фай-

ловой системе «EXT2». ПРИМЕЧАНИЕ: Для использования дисков, отформатированных проигрывателем, на компьютере с Windows, может потребоваться установка на компьютер дополнительно программного обеспечения, например, такого, как "EXT2FSD" (<http://www.ext2fsd.com/>).

Включение и выключение проигрывателя

Для включения проигрывателя, убедитесь, что выключатель питания на задней панели находится в состоянии «включено», и нажмите кнопку пульта «POWER» или кнопку включения/выключения на передней панели.

Для перевода проигрывателя в режим ожидания, нажмите кнопку пульта «POWER» или кнопку включения/выключения на передней панели. Для выхода из режима ожидания нажмите любую из этих кнопок еще раз.

В зависимости от настроек проигрывателя (см. меню настроек плеера), может быть использован режим «аппаратного ожидания» или «программного ожидания». В режиме «аппаратного ожидания» питание проигрывателя почти полностью отключено и проигрыватель почти не потребляет электроэнергию. В режиме «программного ожидания» проигрыватель не выдает сигнал на видеовыход, но продолжает функционировать. Например, если к нему подключены накопители, они по-прежнему будут доступны из сети (функция «NAS» проигрывателя). Выход из режима ожидания занимает всего несколько секунд. Когда проигрыватель находится в режиме «программного ожидания», он по-прежнему потребляет значительное количество электроэнергии. Не рекомендуется надолго оставлять проигрыватель в режиме «программного ожидания» без необходимости.

Для полного выключения проигрывателя используйте выключатель питания на задней панели. Не делайте этого, если к проигрывателю подключены накопители и производится операция записи данных на них.

ПРИМЕЧАНИЕ: После выключения проигрывателя или перевода проигрывателя в режим «аппаратного ожидания», рекомендуется подождать около 1 минуты перед повторным включением

NAS (Network Attached Storage)

Можно получить доступ к накопителям, подключенным к проигрывателю, из локальной сети по протоколам FTP и SMB. На компьютере с Windows просто наберите «ftp://ip_address» или «\\ip_address» в Проводнике (Windows Explorer), где «ip_address» — IP-адрес проигрывателя.

WiFi

Можно использовать WiFi-адаптер, подключаемый по USB, для подключения проигрывателя к беспроводной (WiFi) локальной сети.

За информацией о поддерживаемых USB-WiFi-адаптерах обращайтесь на страницу:

http://dune-hd.com/support/hw_compat/

Ограничения

Совместимость проигрывателя с конкретным оборудованием (аудио-видеооборудование, сетевое оборудование, накопители и т.п.) может зависеть от различных факторов (конкретной модели оборудования, особенностей аппаратной инсталляции и ее использования, настроек проигрывателя и оборудования, и т.п.). Если проигрыватель не работает корректно с некоторым оборудованием, попытайтесь изменить конфигурацию проигрывателя или оборудования, попробуйте использовать оборудование другим образом, либо использовать другое оборудование.

Совместимость проигрывателя с конкретным видом медиаматериалов (файлы, диски и т.п.) может зависеть от различных факторов (особенности кодирования медиаматериалов, особенности настроек проигрывателя и т.п.). Если проигрыватель не воспроизводит корректно некоторые медиаматериалы, попробуйте изменить настройки проигрывателя или использовать медиаматериалы, закодированный в отличном формате.

Обновление плеера и доп. информация

Пожалуйста, проверяйте доступность обновления программного обеспечения проигрывателя («прошивки») на следующей интернет-странице (это может улучшить функциональность проигрывателя и расширить его возможности):

<http://dune-hd.com/firmware/>

(Замечание: Вы также можете подключить плеер к интернет и воспользоваться функцией онлайн-обновления прошивки, см. Настройки / Разное / Обновление Прошивки.)

Пожалуйста, обращайтесь к следующим интернет-страницам для получения более подробной и актуальной документации и информации об использовании проигрывателя:

<http://dune-hd.com/manuals/>

<http://dune-hd.com/support/>

Модульная система компоновки плеера

Проигрыватели Dune HD Smart позволяют создавать пользовательские конфигурации на базе основного (головного) устройства и нескольких опциональных модулей расширения по выбору, которые можно, подобно конструктору, компоновать в единый плеер.

Сам проигрыватель Dune HD Smart является головным устройством, который можно будет по желанию владельца дополнить, например, следующими модулями расширения:

- Dune HD Smart HE (добавляет возможность оперативной установки HDD 3,5").
- Dune HD Smart ME (добавляет возможность установки различных дополнительных модулей).
- Dune HD Smart BE (добавляет возможность воспроизведения дисков Blu-ray/DVD/CD) (в том числе коммерческих дисков Blu-ray/DVD).

Модули расширения могут работать исключительно с головным устройством (проигрывателем Dune HD Smart) и имеют единую с ним систему управления. Количество подключаемых модулей расширения может варьироваться в широких пределах: пользователь получает возможность сборки собственной системы Dune HD Smart, например, из двух, трех или даже шести блоков (в зависимости от типов подключаемых блоков и используемых способов подключения).

Для того чтобы группировать устройства Dune HD Smart по два или три горизонтально, можно использовать специальные крепления. Сгруппированные таким образом 3 модуля, включая головное устройство, будут по сути представлять собой плеер стандартного размера, наподобие модели Dune HD Max.

Кроме того, сгруппировав необходимое количество модулей, можно превзойти функциональность модели Dune HD Max и при этом обеспечить большую гибкость решения. В частности, модульный подход обеспечивает возможность компоновки модулей в произвольном порядке в любое время, в зависимости от потребностей пользователя, а также замены (апгрейда) отдельных модулей вместо замены всего комплекса оборудования одновременно.

Дополнительная информация доступна на Интернет-сайте <http://www.dune-hd.com>

Введення

Dune HD Smart B1 – це “все в одному” пристрій для відтворення відео до якості Full HD (1080p), який поєднує в собі універсальний медіаплеєр і сучасний Blu-ray програвач.

Основні характеристики

- **Новітній Sigma Designs 8642 медіапроцесор:** насолоджуйтесь відмінним відтворенням та виконанням інтерактивних можливостей.
- **Blu-ray та DVD-програвач:** відтворення Blu-ray і DVD-дисків (а також Audio CD-дисків та дисків з файлами: відео/музика/фото).
- **HDD-програвач:** підключіть HDD до програвача і відтворіть контент безпосередньо з нього.
- **Мережевий програвач:** підключіть плеєр до локальної мережі і відтворіть контент безпосередньо з ПК або NAS (UPnP, SMB, NFS).
- **MKV-програвач:** відтворіть HD- і SD-відео в популярному форматі MKV та інших сучасних форматах відео, включаючи найякісніше HD-відео з дуже високим бітрейтом.
- **RealD:** відтворіть надсучасне 3D-відео, яке використовується у найостанніших стрічках у кінотеатрах.
- **3 USB-порти:** зручне підключення жорстких дисків, флеш-дисків, USB флеш-карт та інших USB-накопичувачів.
- **Порт eSATA:** підключення жорсткого диску через найбільш ефективний eSATA-інтерфейс.
- **Слот для SD-карт:** легко відтворіть медіа-файли з карт пам'яті SD камери або іншого пристрою, а також використовуйте SD-карту пам'яті в якості локального накопичувача.
- **HDMI 1.3:** забезпечте найкращу якість HD-відео та HD-аудіо.
- **Повний набір стандартних аудіо-відеороз'ємів:** цифровий оптичний аудіовихід, стереовихід, компонентний і композитний відеовиходи для зручного підключення плеєра до будь-якого A/V обладнання.
- **Гнучка підтримка для Dolby TrueHD та DTS HD Master Audio:** вивід bitstream або декодування в LPCM для гнучкості при підключенні аудіообладнання.
- **Гнучкість відеовиходу:** виведення відео в будь-якому форматі та роздільності (від SD до 1080p, 24p/PAL/NTSC).
- **Збільшення роздільності:** висока якість масштабування DVD та іншого SD-відео до якості Full HD (1080p) та інших HD-роздільностей.
- **Файловий браузер:** зручний файловий браузер з потужним управлінням файлами (копіювання, переміщення, видалення, перейменування, організування, сортування).

Додаткові функції

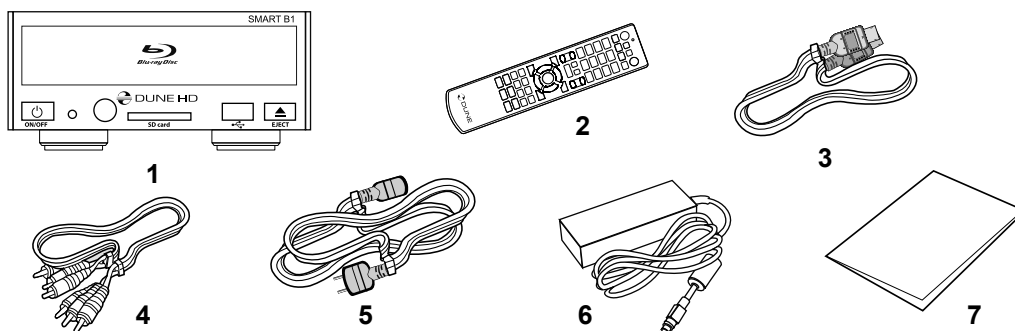
- **Високоякісне відтворення музики:** відтворюйте музичні файли дуже високої якості (до 192 кГц / 24 біт) в різних форматах (FLAC, Monkey's Audio APE, WAV/PCM, DTS і т.д.).
- **Плейлісти:** створюйте плейлісти з Ваших папок, використовуйте свої власні плейлісти, використовуйте повторне відтворення і функцію перемішування.
- **Функція NAS:** доступ до файлів на пристроях зберігання (HDD, оптичний привід і т.д.), підключених до плеєра з локальної мережі (з використанням SMB і FTP).
- **BitTorrent:** використовуйте вбудований BitTorrent-клієнт для завантаження файлів з P2P-мереж.
- **Можливість налаштувати коритсувацький інтерфейс:** робота з медіаколекціями з використанням обкладинок і значків перегляду (з Full HD графікою).
- **Flash-додатки:** розширюйте функціональність програвача з додатками FlashLite.
- **Інтернет-радіо:** відтворення і запис різних інтернет-радіостанцій (HTTP/MP3).
- **IPTV:** відтворення і запис IPTV-потоків (групі UDP/RTP) від Вашого Інтернет-провайдера*.
- **Оція цифрового телебачення:** відтворення і запис цифрових телеканалів за допомогою додаткового цифрового TV USB-ключа **.
- **Веб-браузер:** перегляд Інтернет-сайтів на екрані телевізора за допомогою вбудованого Веб-браузера ***.

* *Перевірте наявність multicast UDP/RTP-потоків у Вашого Інтернет-провайдера.*

** *Цифровий TV USB-ключ в комплект не входить; ця опція може бути придбана окремо.*

*** *Вбудований Веб-браузер має свої обмеження і може не дозволяти перегляд деяких Інтернет-сайтів.*

Комплект поставки

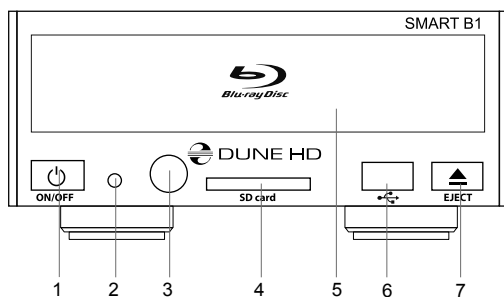


- | | | |
|---|--------------------|----------------------------|
| 1. Dune HD Smart B1 media player | 3. HDMI-кабель | 6. Зовнішній блок живлення |
| 2. Пульт дистанційного керування (батареї можуть не бути включені в комплект) | 4. AV-кабель | 7. Короткий посібник |
| | 5. Кабель живлення | |

ПРИМІТКА: Додаткові елементи (опціональні) можуть бути включені в пакет, в залежності від конфігурації програвача, регіону та постачальника.

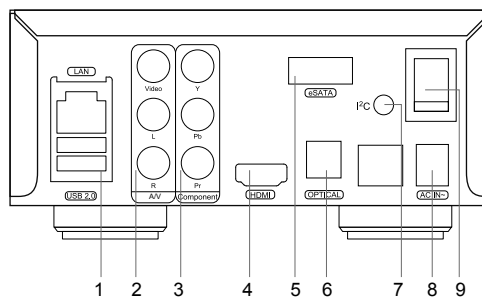
Зовнішній вигляд

Вигляд спереду:



1. Кнопка вмикання/вимикання
2. Світлодіодний індикатор
3. ІЧ-приймач
4. Слот для SD-карт
5. Оптичний привід
6. USB 2.0 роз'єм
7. Кнопка вилучення диска (EJECT)

Вигляд ззаду:



1. LAN та 2xUSB 2.0 роз'єми
2. Композитний відеовихід та аналоговий стереовихід
3. Компонентний (Y/Pb/Pr) відеовихід
4. HDMI 1.3
5. eSATA-роз'єм
6. Оптичний цифровий аудіовихід
7. Виділений роз'єм (I2C) (для майбутнього підключення зовнішніх пристроїв) *
8. Роз'єм живлення 12V
9. Вимикач живлення

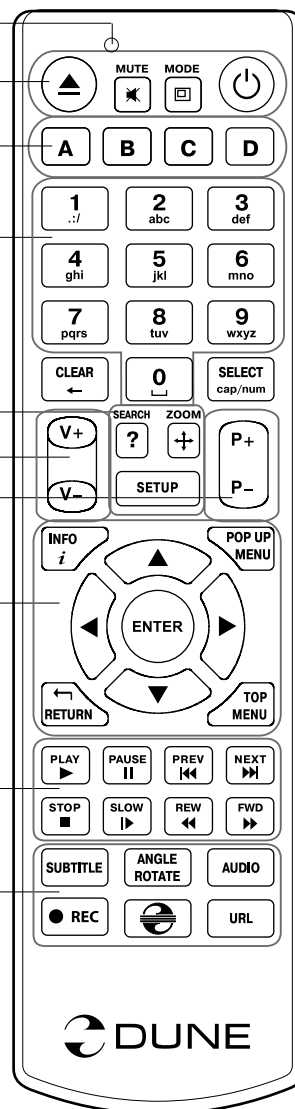
* Не для навушників або інших A/V пристроїв; підключення навушників або інших A/V пристроїв може призвести до пошкодження Вашого обладнання

Пульт Дистанційного Керування (ПДК)

1. Індикатор команд - блимає у відповідь на натискання кнопки ПДК.
2. **EJECT** - відкрити/закрити лоток оптичного приводу. **MUTE** - ввімкнення/вимикання звуку. **MODE** - переключити режим відеовиходу; керування деякими іншими функціями програвача. **POWER** - перемикає на режим очікування.
3. **A (Червона), B (Зелена), C (Жовта), D (Блакитна)** - доступ до функцій Blu-Ray диска; керування деякими іншими функціями програвача.
4. **0-9** - введення цифр і тексту, керування деякими іншими функціями програвача.
5. **SEARCH** - перехід до заданої позиції відтворення. **ZOOM** - зміна коефіцієнта масштабування для відеоконтенту, який відтворюється. **SET-UP** - вхід/вихід до/з меню налаштувань; налаштування параметрів відтворення під час відтворення.
6. **V+/V-** (збільшення гучності/зменшення гучності) - регулювання гучності.
7. **P+/P-** (сторінка вгору/вниз) - прокрутка вгору і вниз різних списків, керування деякими іншими функціями програвача.
8. Стрілки (**ВЛІВО, ВПРАВО, ВНИЗ, ВГОРУ**), **ENTER, RETURN, TOP MENU, POP UP MENU, INFO** - основні кнопки для керування програвачем (навігація по пунктах на екрані, відкрити/використати обраний елемент, повернутися до попереднього екрана, перейти до головного меню, показати контекстне меню з діями, відображення інформації, керування деякими іншими функціями програвача).
9. **PLAY, PAUSE, STOP, SLOW, REW, FWD, PREV, NEXT** - керування відтворенням.
10. **SUBTITLE, ANGLE/ROTATE, AUDIO, REC, DUNE, URL** - керування відтворенням та деякими іншими функціями програвача.

ПРИМІТКИ:

- Використовуйте лужні "AAA" батарейки.
- Дотримуйтеся полярності при встановленні батарей.
- Спрямуйте ПДК на програвач. Між пультом і плеєром не повинно бути перешкод.
- Якщо ПДК працює тільки на малій відстані або перестає функціонувати, не забудьте замінити батареї.
- Деякі кнопки пульта можуть мати кілька функцій в залежності від поточного режиму програвача.
- Деякі кнопки пульта можуть бути доступні тільки в деяких режимах програвача чи лише під час відтворення певного контенту.



Приступаючи до роботи

Забезпечіть достатнє місце навколо програвача для належного охолодження. Простору з кожного боку повинно бути не менше 10 см.

Впевніться, що ПДК має батареї.

Підключіть програвач до телевізора та іншого A/V обладнання належним чином. Використовуйте HDMI з'єднання, щоб отримати максимально можливу якість відео і аудіо. Переконайтеся в тому, що програвач і все відповідне A/V обладнання вимкнене, перш ніж підключати їх. Переконайтеся, що Ваш телевізор та інше A/V обладнання налаштовані на підключення.

Увімкніть програвач. Він буде виконувати свої первинні процедури завантаження, що може зайняти до 1 хвилини. У процесі завантаження логотип «DUNE» з'явиться на екрані.

• Якщо Ви не бачите логотип «DUNE» на екрані телевізора після ввімкнення програвача, то можливі деякі проблеми з підключення між плеєром і телевізором, або обирається неправильний відеовхід телевізора або A/V ресивера. У такому разі, ще раз перевірте кабелі та налаштування телевізора або A/V ресивера, або спробуйте використати інший кабель або інший спосіб підключення програвача до телевізора.

• Якщо Ви бачите логотип «DUNE» на екрані телевізора після ввімкнення програвача, а потім зображення зникає і ніяке інше зображення не з'являється протягом не менше 10 секунд, це може означати, що налаштовано неправильний режим виводу відео в програвачі. У такому випадку, натисніть кнопку ПДК «**MODE**», а потім натисніть одну з кнопок ПДК «**1**», «**2**», «**3**», «**4**» або «**5**», щоб переключитися на інший режим виводу відео (див. «Швидке налаштування режиму відеовиходу»).

Нарешті, Ви побачите головний екран меню програвача. Головний екран показує елементи, які дозволяють використовувати різні функції програвача і отримати доступ до всіх накопичувачів і мережевих дисків, підключених до програвача.

Відрегулюйте налаштування програвача за необхідністю, використовуючи пункт «**SETUP**» на головному екрані меню програвача (або, натиснувши кнопку пульта «**SETUP**»). Зокрема, Ви можете змінити параметри відео-, аудіо- і мережевих налаштувань.

Для вибору мови меню програвача, використовуйте Налаштування / Загальні / Мова інтерфейсу.

Використовуйте кнопки пульта «**ВЛІВО**», «**ВПРАВО**», «**ВНИЗ**», «**ВГОРУ**», «**ENTER**», «**RETURN**» для переміщення по меню програвача. Використовуйте кнопку пульта «**POP UP MENU**», щоб показати список доступних команд. За допомогою кнопки пульта «**INFO**», Ви можете продивитись інформацію про обраний об'єкт.

Швидке налаштування режиму відеовиходу

Кнопка пульта «**MODE**» дозволяє здійснити швидке налаштування режиму відеовиходу, не заходячи в меню налаштувань програвача. Цей спосіб конфігурації відеовиходу може знадобитися, якщо Ви не бачите зображення на екрані після підключення програвача до телевізора.

Натисніть кнопку пульта «**MODE**», а потім одну з кнопок пульта «**1**», «**2**», «**3**», «**4**» або «**5**», щоб переключитися на один з наступних режимів відеовиходу, відповідно:

1. Композитний/Компонентний, PAL
2. Композитний/Компонентний, NTSC
3. HDMI, 480i, 60 Гц
4. HDMI, 720p, 60 Гц
5. HDMI, 1080i, 60 Гц

Після того як Ви бачите зображення на екрані телевізора, натисніть кнопку пульта «**ENTER**», а потім перейдіть в меню налаштувань програвача, щоб виконати більш точні налаштування режиму виводу відео в разі потреби.

ПРИМІТКА: Процедура швидкого налаштування відеовиходу не може бути використана під час відтворення. Для забезпечення виконання цієї процедури, вимкніть програвач, а потім - увімкніть, і почекайте близько 1 хвилини, щоб завершити процедуру.

Відтворення Оптичних Дисків

Для відтворення оптичних дисків, переконайтеся, що Ви на головному екрані меню програвача, і оптичний диск вставлено в оптичний привід програвача. Програвач розпізнає оптичний диск, і покаже відповідний пункт на головному екрані меню програвача.

Залежно від налаштувань, програвач може автоматично почати відтворення диска або запитати підтвердження відтворення.

Підключення USB-накопичувачів

Для підключення USB-диска, переконайтеся, що Ви на головному екрані меню програвача і USB-диск підключений до USB-порту програвача. Програвач розпізнає накопичувач, і покаже відповідний пункт на головному екрані.

При підключенні USB-диска, який вимагає значної енергії (наприклад, USB HDD), використовуйте зовнішнє джерело живлення для USB-дисків. Енергії, яка надається портами USB програвача, може бути не достатньо для правильного функціонування USB-диска.

Не вимикайте USB-накопичувач, під час операції запису.

Використання SD-карт пам'яті

Щоб вставити SD-карту пам'яті, переконайтеся, що Ви знаходитесь на головному екрані меню програвача і вставили картку в слот SD-карт програвача. Програвач розпізнає карту пам'яті і покаже відповідний пункт на головному екрані. Деякі SD-карти пам'яті, можуть бути не розпізнані програвачем, або можуть працювати неправильно; в такому випадку використовуйте інші моделі SD-карт пам'яті.

Не від'єднуйте SD-картку пам'яті, під час операції запису.

Підключення eSATA-накопичувачів

Для підключення eSATA-диску, вимкніть програвач та eSATA-диск, підключіть диск до eSATA-порту програвача (і підключіть диск eSATA до його живлення), увімкніть eSATA-диск, і, як останній крок, увімкніть програвач. Програвач розпізнає eSATA-диск, і покаже відповідний пункт на головному екрані меню програвача.

Вимкніть та від'єднайте eSATA-диск тільки після вимкнення програвача.

Доступ до Мережевих Дисків

Для підключення мережного диска за допомогою SMB і NFS-протоколів, переконайтеся, що Ви на головному екрані меню програвача, натисніть кнопку пульта «MENU», і оберіть «Створити мережеву папку», а потім заповніть параметри мережного диска. Програвач покаже відповідний пункт на головному екрані.

Щоб переглянути список мережевих ресурсів, доступних через SMB і UPnP-протоколи, використайте пункт «Інтернет-Браузер». ПРИМІТКА: Якщо якісь мережеві ресурси не показуються в програвачі, можливо, буде потрібно почекати кілька хвилин, а потім повторити спробу (або натиснути кнопку пульта «MENU» і обрати пункт «Оновити» в командному рядку).

Форматування HDD

Щоб відформатувати HDD, підключений до програвача, оберіть пункт диска на головному екрані меню програвача, натисніть кнопку пульта «INFO» і оберіть «Форматувати диск» (щоб форматувати весь диск) або «Форматувати розділ». Програвач відформатує диск, використовуючи файлову сис-

тему «EXT2» . ПРИМІТКА: Для використання дисків, відформатованих програвачем, на комп'ютері з Windows, Вам, можливо, буде потрібна установка додаткового програмного забезпечення на ПК, такого як «EXT2FSD» (<http://www.ext2fsd.com/>).

Вмикання та Вимикання Програвача

Щоб увімкнути програвач, переконайтеся, що вимикач живлення на задній панелі перебуває у ввімкненому стані, і натисніть кнопку пульта «POWER» або «ввімк/вимк» кнопку на передній панелі.

Щоб переключити програвач у режим очікування, натисніть кнопку пульта «POWER» або «ввімк/вимк» кнопку на передній панелі. Для виходу з режиму очікування, натисніть будь-яку з цих кнопок знову.

Залежно від налаштувань програвача (див. в меню налаштувань програвача), режими «апаратного очікування» та «програмного очікування» можуть бути використані. У «апаратному режимі очікування» відбувається майже повне відключення живлення, а програвач практично не споживає енергії. У «програмному режимі очікування» програвач не подає сигнал на відеовихід, але продовжує функціонувати. Наприклад, якщо пристрої зберігання даних підключені до програвача, Ви все одно можете отримати до них доступ по мережі («NAS» функція програвача). Вихід з «програмного режиму очікування» займає всього кілька секунд. Коли програвач знаходиться в «програмному режимі очікування», він, як і раніше, споживає значну кількість енергії. Не рекомендується тримати програвач в «програмному режимі очікування» на довгий час.

Щоб вимкнути плеєр повністю, перемкніть вимикач живлення на задній панелі. Не робіть цього, якщо диски підключені до програвача, і деякі операції запису в прогресі.

ПРИМІТКА: Після вимикання плеєра або встановлення «апаратного режиму очікування», рекомендується почекати близько 1 хвилини, перш ніж вмикати його знову.

NAS (Мережеві Пристрої)

Ви можете отримати доступ до пристроїв зберігання даних, підключених до програвача з локальної мережі, використовуючи FTP і SMB-протоколи. На ПК з Windows, просто наберіть «ftp://ip_address» або «\\ip_address» в Провіднику Windows, де «ip_address» - є IP-адреса програвача.

WiFi

Ви можете використовувати WiFi USB-адаптер для підключення програвача до локальної мережі через WiFi.

Ознайомтеся з інформацією про WiFi USB-адаптери, які підтримуються:

http://dune-hd.com/firmware/hw_compat/

Обмеження

Сумісність програвача з конкретним обладнанням (A/V обладнання, мережеве обладнання, диски і т.д.) може залежати від різних факторів (конкретної моделі устаткування, особливості встановлення обладнання та використання, налаштування програвача та обладнання, і т.д.). Якщо програвач не може правильно працювати з конкретним обладнанням, спробуйте налаштувати конфігурацію програвача або обладнання, спробуйте використовувати обладнання в іншій формі, або спробуйте використовувати інші апаратні засоби.

Сумісність програвача з конкретним медіаконтентом (файли, диски і т.д.) може залежати від різних факторів (особливості кодування медіаконтенту, особливості налаштування програвача, і т.д.). Якщо програвач не відтворює коректно деякий контент, спробуйте налаштувати конфігурацію програвача, або спробуйте використовувати інший формат медіаконтенту.

Оновлення Програвача і Отримання Додаткової Інформації

Будь ласка, перевірте тут оновлені версії прошивки програвача (які можуть покращити функціонування і розширити можливості програвача):

<http://dune-hd.com/firmware/>

(Примітка: Ви також можете підключити програвач до мережі Інтернет і використовувати он-лайн функцію оновлення прошивки, див. Налаштування / Різне / Оновлення Прошивки.)

Будь ласка, перевірте тут для отримання більш детальної інформації та сучасної документації та інформації про використання програвача:

<http://dune-hd.com/manuals/>

<http://dune-hd.com/support/>

Модульна система компонування програвача

Програвачі Dune HD Smart дозволяють створювати власні конфігурації на основі первинних та опціональних налаштувань, які можуть бути об'єднані для створення комплексного рішення.

Програвач Dune HD Smart може бути розширено за допомогою модулів, таких як:

- Dune HD Smart HE (додає можливість установки 3,5 «HDD)
- Dune HD Smart ME (додає можливість встановлення різних додаткових модулів)
- Dune HD Smart BE (додає можливість для відтворення Blu-ray/DVD/CD) (у тому числі комерційних дисків Blu-ray/DVD).

Модулі можуть працювати виключно з головного пристрою (Програвача Dune HD Smart) і використовувати загальну систему управління, реалізовану за допомогою головного пристрою. Кількість підключених модулів може варіюватися в широкому діапазоні: користувач може скопіювати свою Dune HD Smart систему, наприклад, 2, 3 і навіть 6 компонентів.

Для того, щоб горизонтально згрупувати 2 або 3 SMART-пристрої, можуть бути використані спеціальні кріплення. Наприклад, група з 3 модулів, у тому числі головного пристрою, в поєднанні таким чином, буде складатися з нового програвача стандартного розміру, як модель Dune HD Max.

Крім того, угруповання необхідної кількості модулів дозволяє замінювати функціональність Dune HD Max, забезпечуючи більшу гнучкість роботи в той же час. Зокрема, модульний підхід дає можливість згрупувати модулі в будь-якому порядку в будь-який час, в залежності від потреб користувача, а також заміни (модернізації) окремих модулів, а не заміни всього комплекту обладнання.

Додаткову інформацію можна отримати на інтернет-сайті

<http://www.dune-hd.com>

Wstęp

Dune HD Smart B1 jest urządzeniem typu wszystko-w-jednym, skonstruowanym jako połączenie uniwersalnego odtwarzacza materiałów wideo wysokiej rozdzielczości Full HD (do 1080p), zdjęć i muzyki z nowoczesnym odtwarzaczem płyt Blu-ray.

Główne cechy

- **Najnowszy procesor multimedialny Sigma Designs 8642** — ciesz się doskonałą jakością i wydajnością, wykorzystując interaktywne funkcje odtwarzacza.
- **Napęd Blu-ray i DVD** — odtwarzaj płyty Blu-ray i DVD (dodatkowo Audio CD oraz płyty zawierające pliki wideo, muzykę i zdjęcia).
- **Obsługa zewnętrznych dysków twardech USB/eSATA** — podłącz dysk do odtwarzacza i oglądaj zgromadzone na nim materiały.
- **Odtwarzacz sieciowy** — podłącz go do sieci lokalnej i odtwarzaj materiały multimedialne bezpośrednio z komputera lub serwera NAS (UPnP, SMB, NFS).
- **Odtwarzacz MKV** — oglądaj wideo HD oraz SD w najpopularniejszym formacie MKV i innych najnowszych formatach wideo, z uwzględnieniem materiałów HD wysokiej jakości, o bardzo wysokich wskaźnikach bitrate.
- **RealD** — oglądaj filmy 3D w nowym formacie wykorzystywanym w najnowszych filmach wchodzących do kin.
- **HD audio** — ciesz się słuchając najwyższej jakości ścieżki audio (Dolby True HD, DTS HD Master Audio, LPCM, FLAC).
- **3 porty USB** — wygodnie podłącz dyski twarde, pamięci flash USB, czytnik kart USB i inne urządzenia pamięci masowej USB.
- **Złącze eSATA** — łatwo podłączysz zewnętrzny dysk z szybkim złączem eSATA
- **Gniazdo kart SD na froncie** — odtwarzaj pliki multimedialne bezpośrednio z karty pamięci SD z aparatu cyfrowego lub innych urządzeń, lub wykorzystaj kartę pamięci SD jako pamięć podręczną lub systemową (wymagana dla funkcji BD Live).
- **HDMI 1.3** — zapewnia najlepszej jakości dźwięk audio HD i obraz wideo FullHD.
- **Bogaty zestaw standardowych złącz AV** — optyczne audio S/PDIF, audio stereo, wideo komponent, wideo kompozyt, które w prosty sposób umożliwiają podłączenia sprzętu AV.
- **Konfigurowalne wyjścia video** — wyprowadź z odtwarzacza wideo w dowolnej rozdzielczości i formacie (od SD do formatu 1080p, 24p/PAL/NTSC).
- **Skalowanie** — doskonałej jakości skalowanie DVD i innych materiałów wideo standardowej rozdzielczości SD do rozdzielczości Full HD (1080p) lub pośrednich.
- **Przeglądarka plików** — przeglądarka z rozbudowanym zarządzaniem plików (kopiowanie, przenoszenie, usuwanie, zmiana nazwy, organizowanie, sortowanie).

Funkcje dodatkowe

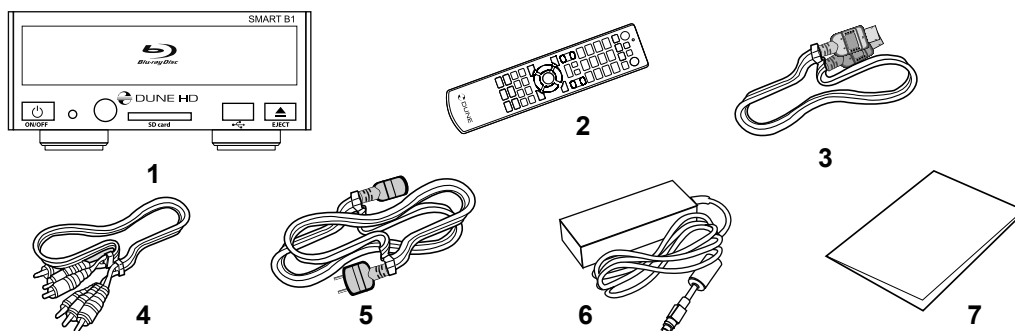
- **Odtwarzania muzyki wysokiej jakości** — odtwarzanie utworów muzycznych bardzo wysokiej jakości (do 192 kHz / 24-bit) w różnych formatach (FLAC, Monkey's Audio APE, WAV/PCM, DTS, itd).
- **Listy odtwarzania** — odtwarzaj foldery jak playlistę, korzystaj z własnych list odtwarzania, wykorzystuj funkcje losowania i powtarzania utworów.
- **Funkcja NAS** — dostęp do plików znajdujących się w pamięci masowej (HDD, napęd optyczny, itd) dołączonej do odtwarzacza przez sieć lokalną (za pomocą FTP lub SMB).
- **BitTorrent** — wykorzystaj wbudowanego klienta BitTorrent do pobierania plików z sieci P2P.
- **Konfigurowalny interfejs użytkownika:** praca z kolekcją mediów za pomocą ikon i okładek (grafiki wysokiej rozdzielczości).
- **Aplikacje Flash** — rozszerzenie funkcjonalności odtwarzacza przez aplikacje FlashLite.
- **Radio internetowe** — odtwarzanie i nagrywanie internetowych stacji radiowych (HTTP/MP3).
- **IPTV** — odtwarzanie i nagrywanie strumieni IPTV (multicast UDP / RTP) dostępnych u twojego dostawcy internetu*.
- **Opcja telewizji cyfrowej** — odtwarzanie i nagrywanie kanałów telewizyjnych dzięki opcjonalnemu tunerowi Digital TV USB** lub tunerom instalowanym w dodatkowym komponencie Dune Smart Extension ME.
- **Przeglądanie Internetu** — oglądaj strony internetowe na ekranie twojego telewizora za pomocą wbudowanej przeglądarki internetowej***.

* Sprawdź dostępność strumieni multicast UDP/RTP u twojego dostawcy internetu.

** Tuner Digital TV USB nie jest zawarty w zestawie; można go kupić oddzielnie.

*** Wbudowana przeglądarka internetowa ma pewne ograniczenia i może nie wyświetlać prawidłowo niektórych stron internetowych.

Zawartość zestawu

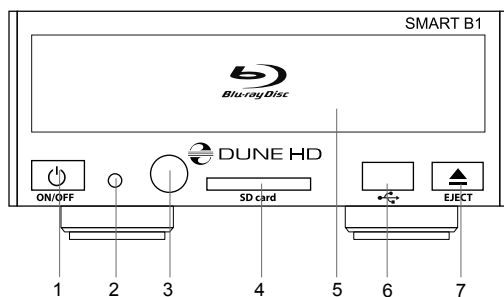


- | | | |
|-------------------------------------|---------------------------------|-------------------------------------|
| 1. Odtwarzacz Dune HD Smart B1 | 4. Zewnętrzny zasilacz sieciowy | 6. Kabel HDMI |
| 2. Pilot (baterie nie są załączone) | 5. Przewody AV | 7. Skrócona instrukcja Szybki start |
| 3. Kabel zasilający | | |

UWAGA: Dodatkowe przedmioty (opcjonalne) mogą zostać dołączone do zestawu, w zależności od konfiguracji odtwarzacza, regionu i dystrybutora.

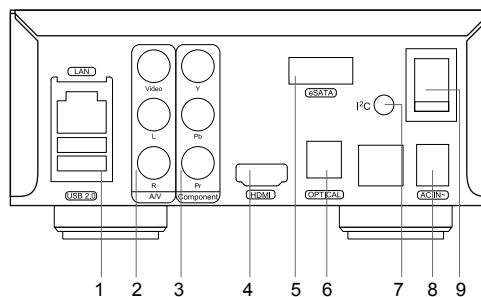
Obudowa

Widok panelu przedniego



1. Przycisk ON/OFF (włącz/wyłącz)
2. Dioda LED
3. Czujnik sygnałów pilota
4. Czytnik kart SD
5. Napęd optyczny
6. Złącze USB 2.0 host
7. Przycisk EJECT (wysuń)

Widok z tyłu

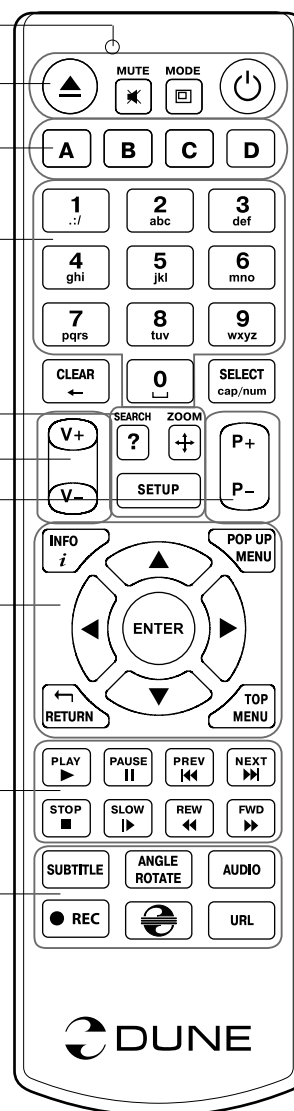


1. Złącze sieć LAN oraz 2 złącza USB 2.0 host
2. Kompozytowe wyjście wideo, analogowe wyjście audio (stereo)
3. Wyjście wideo Komponent (Y/Pb/Pr)
4. Złącze HDMI 1.3
5. Złącze eSATA host
6. Cyfrowe optyczne wyjście audio
7. Dedykowane złącze magistrali I2C (dla urządzeń zewnętrznych podłączanych w przyszłości)*
8. Złącze zasilania DC 12V
9. Włącznik zasilania

* Nie dla słuchawek i innego sprzętu A/V; podłączenie słuchawek lub urządzeń audio/wideo może spowodować uszkodzenie odtwarzacza lub podłączanego urządzenia.

Pilot zdalnego sterowania

1. Dioda sygnalizująca wysyłanie przez pilota sygnałów sterujących do odtwarzacza
2. **EJECT** — otwiera i zamyka szufladę napędu optycznego, **MUTE** - wyłącza lub włącza dźwięk, **MODE** - przełącza tryby wideo i kontroluje inne funkcje odtwarzacza, **POWER** - przełącza odtwarzacz w tryb Stand-by i wybudza urządzenie z trybu uśpienia
3. **A (Czerwony), B (Zielony), C (Żółty), D (Niebieski)** — przyciski pozwalające na dostęp do niektórych funkcji filmów Blu-ray; sterowanie innymi funkcjami odtwarzacza
4. **0-9** — umożliwiają wprowadzanie liter i cyfr; sterowanie innymi funkcjami odtwarzacza
5. **SEARCH** — umożliwia przejście do dowolnego miejsca w filmie, **ZOOM** — zmienia aktualne powiększenie obrazu, **SETUP** — wchodzi i wychodzi z menu ustawień odtwarzacza, oraz pozwala na dostosowanie ustawień filmu podczas odtwarzania
6. **V+/V-** (**dźwięk głośniejszy / ciszej**) — kontrola głośności (zaleca się sterowanie głośnością zewnętrznym wzmacniaczem)
7. **P+/P-** (**strona wyżej / niżej**) — pozwala na szybkie przewijanie aktualnie wyświetlanej listy plików; sterowanie innymi funkcjami odtwarzacza
8. Strzałki (**LEWO, PRAWO, GÓRA, DÓŁ**) — pozwalają na nawigację po menu urządzenia, oraz wybór elementów, **ENTER** — otwiera / potwierdza wybór danego pliku lub pozycji menu, **RETURN** — wraca do poprzedniego ekranu, **TOP MENU** — przechodzi do głównego menu, **POP UP MENU** — wyświetla menu podręczne, **INFO** — wyświetla informacje o wybranym elemencie. Przyciski główne sterują pracą odtwarzacza
9. **PLAY, PAUSE, STOP, SLOW, REW, FWD, PREV, NEXT** — sterowanie odtwarzaniem
10. **SUBTITLE, ANGLE/ROTATE, AUDIO, REC, DUNE, URL** — sterowanie odtwarzaniem; sterowanie innymi funkcjami odtwarzacza.



UWAGA:

- Używaj wyłącznie baterii alkalicznych typu AAA.
- Przy montażu baterii w pilocie, zwróć uwagę na prawidłową polaryzację.
- Jeśli pilot działa z małej odległości lub odtwarzacz przestaje reagować na polecenia z pilota, wymień baterie.
- Niektóre przyciski mogą realizować kilka funkcji w zależności od stanu, w jakim znajduje się w danej chwili odtwarzacz.
- Niektóre przyciski mogą być dostępne tylko w niektórych trybach, lub tylko podczas odtwarzania wybranych typów materiałów.

Pierwsze uruchomienie

Usuń przezroczystą folię ochronną z panelu przedniego odtwarzacza, aby zapewnić jego estetyczny wygląd.

Upewnij się, że wokół odtwarzacza znajduje się wystarczająco dużo miejsca, aby zapewnić jego prawidłowe chłodzenie. Odtwarzacz powinien mieć co najmniej 10cm wolnej przestrzeni po bokach i od góry.

Upewnij się, że w pilocie zainstalowane są baterie.

Podłącz odtwarzacz do telewizora i innych urządzeń audiowizualnych we właściwy sposób. Użyj połączenia HDMI, aby uzyskać najlepszą możliwą jakość obrazu i dźwięku. Przed połączeniem, upewnij się, że odtwarzacz i wszystkie podłączane do niego urządzenia są wyłączone. Upewnij się, że telewizor oraz inne urządzenia audio/wideo mają prawidłowo skonfigurowane wejścia.

Włącz odtwarzacz. Odtwarzacz rozpocznie procedurę startową, która może potrwać do około 1 minuty. W trakcie procedury ładowania, logo «Dune» będzie widoczne na ekranie TV.

- Jeśli nie widzisz logo «Dune» na TV po włączeniu odtwarzacza, może to oznaczać jakieś problemy z połączeniem pomiędzy odtwarzaczem a telewizorem lub że wybrano złe wejście wideo na TV lub amplitunerze AV. W takim przypadku, sprawdź kable i ustawienia telewizora lub amplitunera AV lub spróbuj użyć innych kabli lub innego sposobu podłączenia odtwarzacza do telewizora.
- Jeśli widzisz logo «Dune» na TV po włączeniu odtwarzacza, po czym obraz znika i nie pojawia się żaden obraz w czasie co najmniej 10 sekund, może to oznaczać, że skonfigurowany tryb wyjścia wideo w odtwarzaczu. W takim przypadku, naciśnij przycisk «**MODE**» na pilocie, a następnie naciśnij jeden z przycisków «**1**», «**2**», «**3**», «**4**» lub «**5**», aby przełączyć się na inny tryb wyjścia wideo (patrz «szybkie ustawianie trybu wyjścia wideo»).

Po tej operacji, na ekranie powinno pojawić się Menu Główne odtwarzacza. Menu zawiera elementy, pozwalające na używanie różnych funkcji odtwarzacza, dostęp do wszystkich dysków, napędu płyt DVD/BD, pamięci lokalnej, oraz dysków sieciowych podłączonych do odtwarzacza.

Dostosuj ustawienia odtwarzacza zgodnie ze swoimi preferencjami. Wejście do menu ustawień odbywa się przy pomocy pozycji «**SETUP**» na ekranie głównym lub przez naciśnięcie przycisku «**SETUP**» na pilocie. W szczególności zaleca się dostosować ustawienia wideo, ustawienia audio i ustawienia sieci.

Aby zmienić język menu, należy przejść do „Setup / General / Interface language” i wybierz preferowany język.

Do poruszania się po menu odtwarzacza służą przyciski pilota «**LEFT**», «**RIGHT**», «**UP**», «**DOWN**», «**ENTER**», «**RETURN**». Przycisk «**POPUP MENU**», znajdujący się na pilocie, możesz wykorzystać, aby wyświetlić wszystkie operacje dla zaznaczonego elementu. Przycisk «**INFO**» pozwala na wyświetlenie informacji o podświetlonym pliku.

Szybkie ustawienie trybów wyjścia wideo

Przycisk «**MODE**» na pilocie pozwala na szybkie ustawienie trybu wyjścia wideo bez konieczności wchodzenia do menu ustawień odtwarzacza.

Ten sposób konfiguracji wyjścia wideo można wykorzystać, jeżeli nie widać obrazu na ekranie po podłączeniu odtwarzacza do telewizora.

Wciśnij i zwolnij przycisk «**MODE**», a następnie jeden z przycisków «**1**», «**2**», «**3**», «**4**», lub «**5**» aby przełączyć się na jeden z następujących trybów wideo:

1. Kompozyt / Komponent, PAL
2. Kompozyt / Komponent, NTSC
3. HDMI, 480i, 60 Hz
4. HDMI, 720p, 60 Hz
5. HDMI, 1080i, 60 Hz

Po wyświetleniu obrazu na ekranie telewizora, naciśnij «**ENTER**», a następnie, w razie potrzeby, przejdź do menu ustawień odtwarzacza, aby dokonać dokładniejszej konfiguracji trybu wyjścia wideo.

UWAGA: Procedura szybkiej zmiany ustawień trybów wideo nie może być uruchomiona podczas odtwarzania.

Aby możliwe było ponowne uruchomienie procedury należy wyłączyć i włączyć odtwarzacz, a następnie odczekać około 1 minutę (czas potrzebny na pełne uruchomienie odtwarzacza).

Odtwarzanie płyt

Aby odtworzyć płytę CD/DVD/BR, przejdź do menu głównego i włóż płytę do napędu optycznego w odtwarzaczu. Odtwarzacz rozpoznaje rodzaj płyty i udostępnia odpowiadające jej opcje napędu optycznego. W zależności od ustawień odtwarzacza, może on automatycznie odtwarzać płyty lub poprosić o potwierdzenie uruchomienia odtwarzania.

Podłączanie pamięci USB

Aby podłączyć pamięć USB, przejdź do menu głównego, a następnie podłącz pamięć do portu USB. Odtwarzacz rozpozna pamięć i wyświetli odpowiednią pozycję na ekranie głównym.

Podłączając pamięci USB mające większe zapotrzebowanie energetyczne (np. dyski twarde USB), należy zapewnić im zewnętrzne zasilanie. Energia dostarczana do zewnętrznego dysku przez port USB może nie być wystarczająca do prawidłowego działania podłączonej pamięci.

Nigdy nie odłączaj pamięci USB, jeśli jakaś operacja z nią związana jest w toku.

Używanie kart pamięci SD

Aby podłączyć kartę pamięci SD, przejdź do menu głównego, a następnie wsuń kartę do czytnika. Odtwarzacz rozpozna kartę pamięci i wyświetli odpowiednią pozycję w menu głównym. Odtwarzacz może nie rozpoznać niektórych kart SD lub może się zdarzyć, że karta nie będzie działać prawidłowo, w takim przypadku należy użyć innej karty pamięci SD.

Nigdy nie wysuwaj karty pamięci, jeśli jakaś operacja z nią związana jest w toku.

Podłączanie dysków eSATA

W trakcie podłączania zewnętrznego dysku eSATA zarówno odtwarzacz, jak i dysk powinny być wyłączone. Urządzenia należy połączyć odpowiednim kablem eSATA, do obudowy dysku należy podłączyć zasilanie, po czym można włączyć obudowę a następnie odtwarzacz.

Odtwarzacz rozpozna podłączony dysk a w Menu Głównym pojawi się ikona pozwalająca na przeglądanie jego zawartości.

Dysk eSATA można wyłączać i odłączać od odtwarzacza tylko gdy odtwarzacz jest wyłączony.

Dostęp do dysków sieciowych

Aby podłączyć dysk sieciowy wykorzystując protokół SMB lub NFS, przejdź do menu głównego odtwarzacza, a następnie naciśnij przycisk „MENU” na pilocie. Wybierz pozycję „Nowy katalog sieciowy” i uzupełnij niezbędne parametry połączenia do dysku sieciowego. Odtwarzacz wyświetli na ekranie głównym odpowiednią pozycję prowadzoną do skonfigurowanego dysku sieciowego.

Przeglądanie listy źródeł sieciowych dostępnych przez protokoły SMB oraz UPnP, możliwe jest poprzez „Przeglądarkę Sieci” znajdującą się w głównym menu odtwarzacza.

UWAGA: Jeśli jakieś katalogi lub dyski sieciowe nie są widoczne, poczekaj kilka minut i spróbuj ponownie (lub naciśnij przycisk „MENU” na pilocie i wybierz polecenie „Odśwież”).

Formatowanie dysku twardego

Aby sformatować podłączony do odtwarzacza dysk twardy, podświetl dysk w menu głównym, wciśnij przycisk „INFO” na pilocie i wybierz polecenie „Formatuj Dysk” (aby sformatować cały dysk) lub «Formatuj Partycję» (aby sformatować jedną z partycji znajdujących się na dysku). Odtwarzacz sformatuje dysk lub partycję w systemie plików EXT2.

UWAGA: Użytkowanie dysków sformatowanych przez odtwarzacz na komputerze z systemem Windows, możliwe jest po zainstalowaniu dodatkowego oprogramowania takiego jak «EXT2FSD» (<http://www.ext2fsd.com/>). Odtwarzacz poprawnie obsługuje także dyski formatowane przez komputer w systemie FAT i NTFS.

Włączanie i wyłączanie odtwarzacza

Aby włączyć odtwarzacz, upewnij się, że przełącznik z tyłu znajduje się w pozycji «ON», i wciśnij przycisk «POWER» na pilocie lub przycisk «ON/OFF» na panelu przednim.

Przełączenie odtwarzacza w tryb Stand-by, możliwe jest poprzez wciśnięcie przycisku «POWER» na pilocie lub przycisku «ON/OFF» na froncie. Aby wyjść z trybu Stand-by, ponownie wciśnij jeden z powyższych przycisków.

W zależności od ustawień, odtwarzacz może przechodzić w tryb głębokiego uśpienia „sprzętowego”, lub w tryb płytkiego uśpienia „programowego”. W trybie głębokiego uśpienia, odtwarzacz jest niemal całkowicie wyłączony, a zużycie energii jest minimalne. W trybie uśpienia płytkiego, odtwarzacz nie wypuszcza żadnych sygnałów audiowizualnych, ale wszystkie jego pozostałe funkcje cały czas działają. Dla przykładu, jeśli masz podłączoną do odtwarzacza pamięć masową to po przejściu w tryb płytkiego uśpienia, nadal będzie można uzyskać dostęp do zasobów przez sieć (funkcja «NAS» odtwarzacza). Powrót z trybu płytkiego uśpienia do pełnego włączenia zajmuje zaledwie kilka sekund. Zużycie energii w tym trybie nadal jest duże i zbliżone do zużycia podczas normalnej pracy. Nie zaleca się pozostawiać odtwarzacza w trybie płytkiego uśpienia, jeśli nie jest to konieczne.

Aby całkowicie wyłączyć odtwarzacz, ustaw przełącznik z tyłu odtwarzacza w pozycję «OFF». Nie wyłączaj w ten sposób odtwarzacza, jeśli jest do niego podłączona jakakolwiek pamięć masowa i trwają operacje zapisu.

UWAGA: Po całkowitym wyłączeniu odtwarzacza lub przejściu w tryb głębokiego uśpienia, zaleca się odczekać około 1 minutę przed ponownym włączeniem.

NAS (Sieciowy serwer plików NAS)

Możesz zdalnie przeglądać zawartość pamięci odtwarzacza po podłączeniu go do sieci lokalnej wykorzystując protokoły FTP i SMB (Samba). Aby uzyskać dostęp do zasobów odtwarzacza z poziomu komputera z systemem Windows, wpisz w Eksploratorze Plików «ftp://adres_ip» lub «\\adres_ip», gdzie „adres_ip” to adres IP odtwarzacza w sieci.

WiFi

Możesz podłączyć odtwarzacz do sieci lokalnej poprzez Wifi, wykorzystując kartę USB WiFi.

Więcej informacji na temat zgodnych kart WiFi USB pod adresem:

http://dune-hd.com/support/hw_compat/

Ograniczenia

Zgodność odtwarzacza z innymi urządzeniami (urządzenia audiowizualne, urządzenia sieciowe, stacje dysków, itp.) może zależeć od różnych czynników (w szczególności od modelu urządzenia, jego specyfiki instalacji i użytkowania, konfiguracji odtwarzacza i urządzeń, itp.). Jeśli odtwarzacz nie działa poprawnie z danym urządzeniem, spróbuj zmienić konfigurację odtwarzacza lub urządzenia, spróbuj użyć urządzenie w inny sposób, lub użyć innego urządzenia. Zgodność odtwarzacza z niektórymi mediami i nośnikami (pliki, dyski, itp.) może zależeć od różnych czynników (rodzaj kodowania zawartości mediów, konfiguracji odtwarzacza, itp.). Jeśli odtwarzacz nie odtwarza poprawnie niektórych plików, spróbuj zmienić konfigurację, lub użyj plików z innym kodowaniem.

Aktualizacja oprogramowania oraz informacje dodatkowe

Nowe wersje firmware dostępne są pod adresem: <http://dune-hd.com/firmware/>

Oprogramowanie może poprawić funkcjonowanie i rozszerzyć możliwości odtwarzacza.

(Uwaga: Możesz również podłączyć odtwarzacz do sieci internet i skorzystać z funkcji aktualizacji firmware „online”, aby skorzystać z tej opcji przejdź do Ustawienia/Pozostałe/Firmware Upgrade.)

Bardziej szczegółowa dokumentacja i informacje dotyczące użytkowania odtwarzacza znajdują się pod adresem:

<http://dune-hd.com/manuals/>

<http://dune-hd.com/support/>

Modułowa konstrukcja odtwarzaczy serii Smart

Odtwarzacze Dune HD Smart pozwalają na rozbudowanie jednostek centralnych (HD Smart B1/H1/D1) o dodatkowe moduły Smart Extension rozszerzające możliwości sprzętu. Opcja ta pozwala na samodzielne dobranie i skonstruowanie zestawu dostosowanego od potrzeb użytkownika.

Dla modelu HD Smart B1, dostępne są następujące moduły rozszerzeń:

- Dune HD Smart HE (pozwala na instalację dodatkowego dysku 3.5" w kieszeni umożliwiającej podłączenie i odłączanie dysku podczas pracy (hot-swap))
- Dune HD Smart ME (pozwala na instalację dodatkowych kart)

Moduły rozszerzeń mogą pracować wyłączenie z odtwarzaczami Dune HD Smart, są zarządzane i sterowane z poziomu jednostki centralnej. Ilość i rodzaj modułów przyłączonych do jednostki centralnej zależą od użytkownika. Możliwe jest podłączenie jednego, dwóch, a nawet sześciu modułów rozszerzeń do jednego odtwarzacza.

W celu sztywnego połączenia dwóch lub trzech modułów w jeden można użyć specjalnych łączników (sprzedawane są oddzielnie). Pozwalają one np. połączyć jednostkę centralną i dwa moduły rozszerzeń w jeden odtwarzacz o rozmiarach standardowego komponentu HiFi, podobnego np. do odtwarzacza Dune HD Max.

Modułowa konstrukcja odtwarzaczy serii Smart pozwala użytkownikowi na budowę kompletnego odtwarzacza odpowiadającego funkcjonalnie modelowi HD Max. Użytkownik może sam zaplanować moment zakupu, dalszą rozbudowę, czy aktualizację zestawu lub poszczególnych modułów, bez ingerencji w pozostałe moduły. Użytkownik decyduje także o wzajemnym ustawieniu modułów i wyglądzie całego zestawu.

Więcej informacji można znaleźć na stronach internetowych producenta:

<http://www.dune-hd.com>



www.Dune-HD.com